

HSF RoHS

REV	ECN NO	DESCRIPTION	DATE	NAME
A		NEW		

Specifications

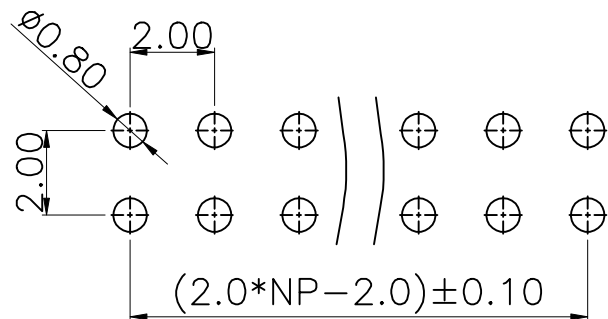
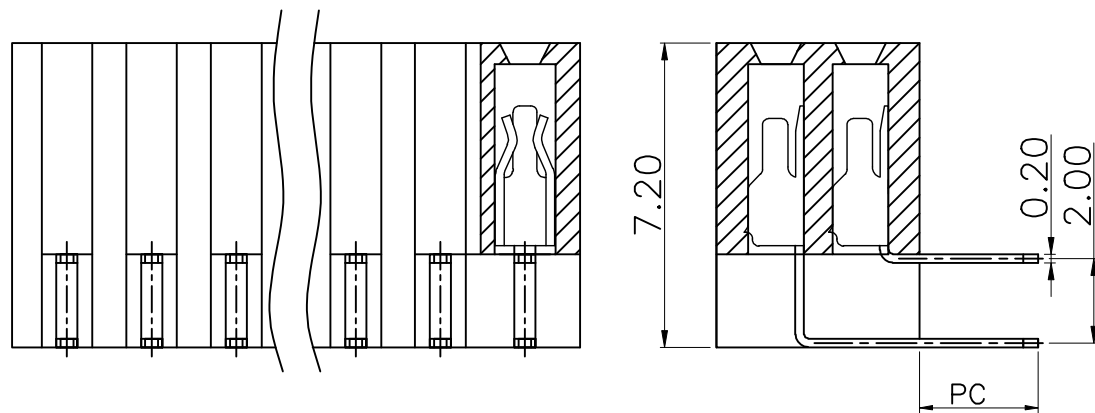
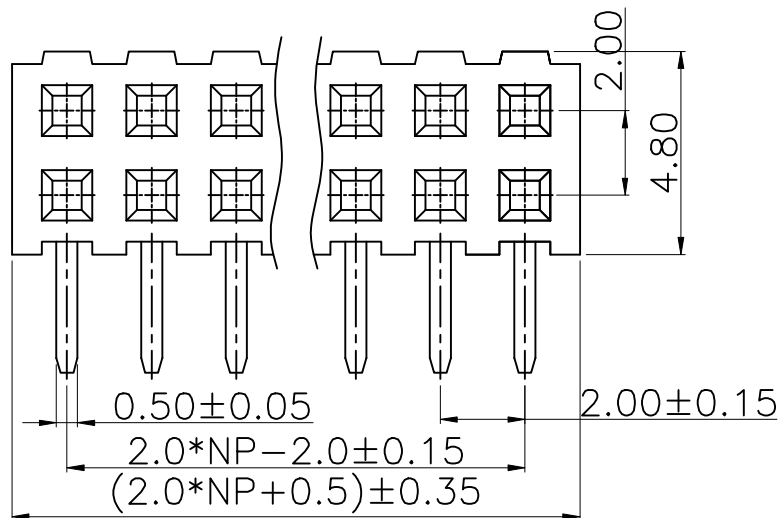
- 1.Current Rating:2Amps
- 2.Contact Resistance: 20mΩ
- 3.Insulator Resistance:1000 Megohms min.
- 4.Dielectric withstanding Voltage: AC/DC 500V
- 5.Operating Temperature:-40℃ to+105℃
- 6.Contact Material: phosphor Bronze
- 7.Insulator Material:Asfollows
- 8.Plated: Asfollows

Ordering Information

L306 XX -XX 7 X X XX X

Insulation Height*Wide (H*W) Option:	NO. of Pins Per Row: 1-40P	Insulation Material Option:	Contact Plating	Serial NO.	Packing
72=7.2*4.8		1=PBT 2=PPS 3=NY6T 4=LCP 5=NY66 6=Customized 7=NY46 8=NY9T	0=0.8" Gold 1=Au1" Gold 2=Au1.5" Gold 3=Au2" Gold 4=Au3" Gold 5=Au5" Gold 6=Customized 7=Gold/Tin 8=Tin	01-69(No pillars) 70-89(pillars) 90-99(outside pillars)	A=PE Bag B=Tube C=Tray D=Reel

Dimension antitheses list			
ITEM	PC	H	W
Standard	2.4/2.8/3.0		
Alternate			



PCB LAYOUT

STANDARD TOLERANCE (EXCEPT SPECIFIED)			
LINER		ANGLES	
.0	±0.30	0.°	±3°
.00	±0.20	.0°	±2°
.000	±0.10	.00°	±1°

LDCONN 东莞连大精密制品有限公司
DongGuan LianDa Precision Products Co., LTD

TITLE	PH2.0mm 2XNP 90° Dual row Female Header Single bend	DRAWN BY	Lujunhui	18.04.01
PART NO	L306XX-XX7XXXXX	CHECKED BY		
DRAWING NO		APPROVED BY		
SCALE	1:1	UNIT	mm	PAGE 1/1
				SIZE A4