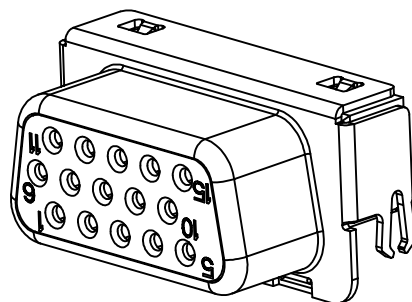
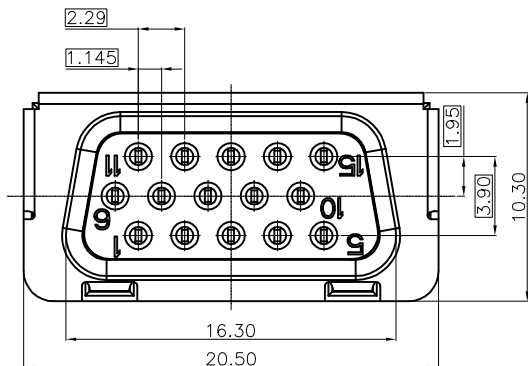


# HSF RoHS

REV	ECN NO	DESCRIPTION	DATE	NAME
A		NEW		



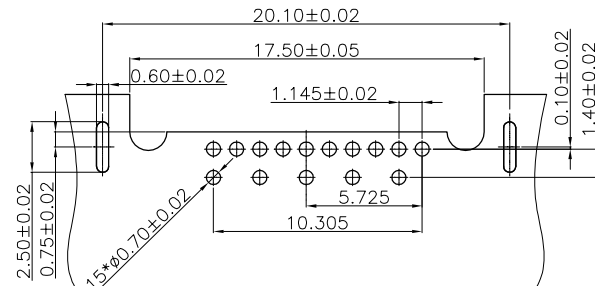
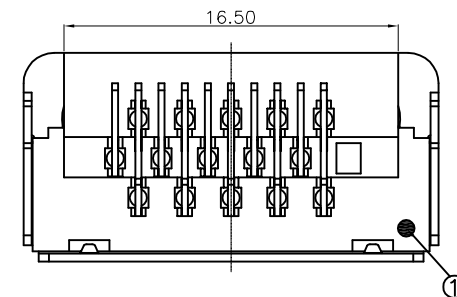
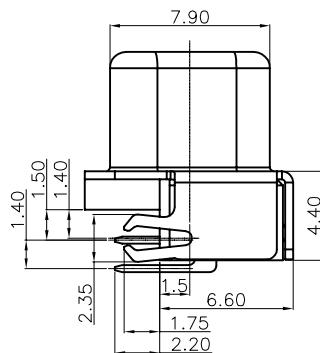
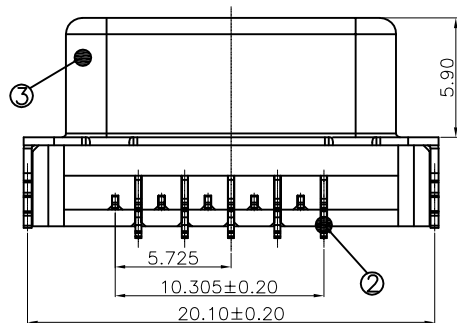
- MATERIALS:  
 Contacts:Brass.  
 Housing:Thermoplastic UL94V-0 BLACK  
 Shell:SPCC
- PLATING:  
 Contact:Au PLATED ON CONTACT AREA(SEE ORDER INFORMATION),  
 100u" Sn PLATED ON SOLDER TAIL AREA,  
 BOTH OVER 50u" Ni UNDER PLATED OVER ALL  
 Shell:SOLDERABLE Ni OVER ALL
- SPECIFICATION  
 ELECTRICAL CHARACERISTICS:  
 Contact Current Rating: 3Amperes  
 Dielectric withstanding Voltage: AC 1000V,for 60sec  
 Insulation Resistance: 1000 Milliohms Minmum. at DC 500V  
 Contact Resistance: 25 Milliohms Maximum  
 Operating Temperature:-55° C to +105° C
- ORDER INFORMATION
- Insertion Force:4.0kg/max
- Pull out Force:0.8kg/min
- Retention Force:0.5kgf/per pin min

## Ordering Information

L88214- 1 X 01 X

电镀规格  
 0=Au0.8"  
 1=Au1"  
 2=Au1.5"  
 3=Au2"  
 4=Au3"  
 5=Au5"  
 6=Au10"  
 7=半金锡  
 8=镀亮锡  
 9=镀雾锡

包装类型  
 A=袋装  
 B=管装  
 C=盘装  
 D=卷装



Recommended PCB Layout(±0.05)

3	SHELL	1	SPCC	Ni-Plating
2	CONTACT	15	C2680EH	SEE ORDER INFORMATION
1	HOUSING	1	LCP	BLACK
NO.	NAME	QTY	MATERIAL	NOTE

**LDCONN 东莞连大精密制品有限公司**  
 星大 DongGuan LianDa Precision Products Co., LTD

TITLE	VGA 15P Female Forward H6.6mm short body	DRAWN BY	Lujunhui	18.04.07
PART NO	L88214-1X01X	CHECKED BY		
DRAWING NO		APPROVED BY		
SCALE	1:1	UNIT	mm	PAGE 1/1
				SIZE A4

### STANDARD TOLERANCE (EXCEPT SPECIFIED)

LINER	ANGLES
.0 ±0.30	0.° ±3°
.00 ±0.25	.0° ±2°
.000 ±0.15	.00° ±1°