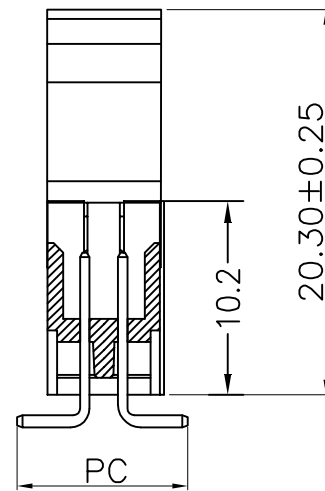
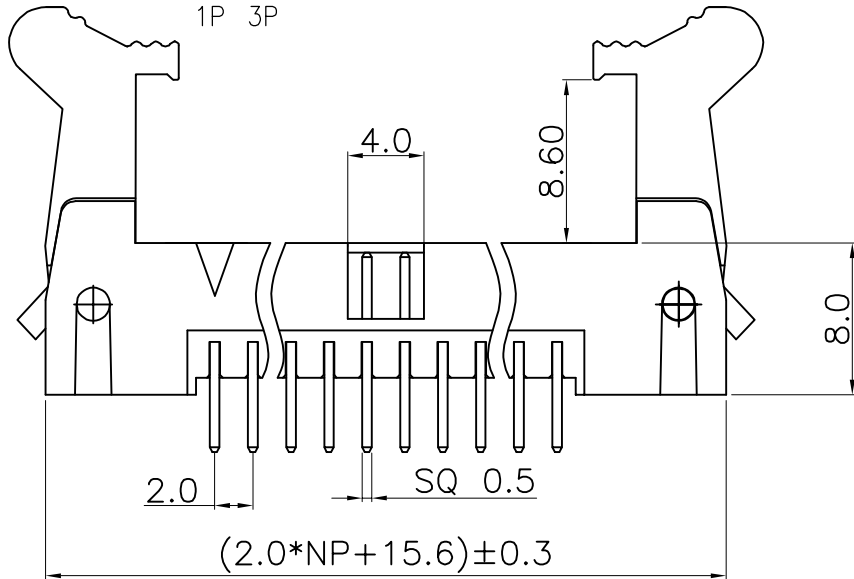
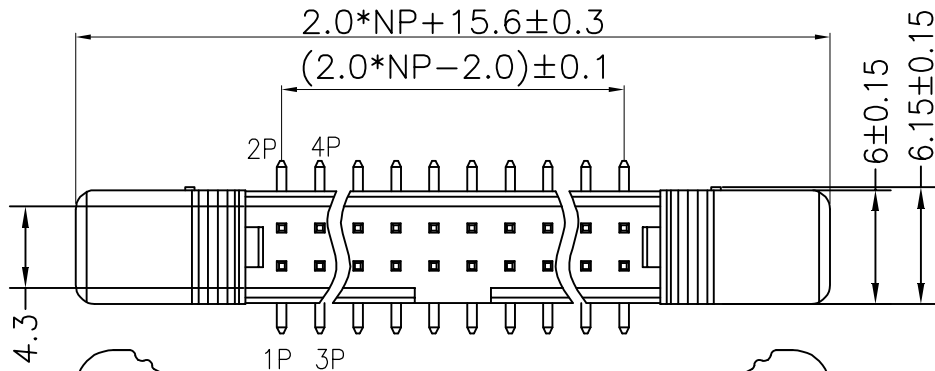


REV	ECN NO	DESCRIPTION	DATE	NAME
A		NEW		

# HSF RoHS

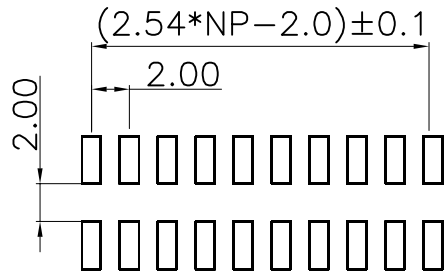
- MATERIALS AND FINISH
  - HOUSING MATERIALS: Asfollows
  - CONTACTS: Brass
  - PLATING: Asfollows
- SPECIFICATIONS
  - CURRENT RATING: 2AMP
  - INSULATION RESISTANCE: 1000MΩ
  - DIELECTRIC WITHSTANDING VOLTAGE: 1000V AC/DC.
  - OPERATING TEMPERATURE: -40°C TO +105°C.



## Ordering Information

L240XX -XX 0 X X XX X

- 塑胶高度H 8.0
- PIN数 01~40
- 1、PBT
- 2、NY6T
- 3、LCP
- 4、NY66
- 5、NY66
- 6、NY46
- 7、NY9T
- 0、Au0.8u"
- 1、Au1u"
- 2、Au1.5u"
- 3、Au2u"
- 4、Au3u"
- 5、Au5u"
- 6、Au10u"
- 7、半金锡
- 8、镀亮锡
- 9、镀雾锡
- 流水号 01~69不带柱
- 70~99带内柱
- A袋装
- B管装
- C盘装
- D卷装



PCB LAYOUT

STANDARD TOLERANCE (EXCEPT SPECIFIED)	
LINER	ANGLES
.0 ±0.30	0.° ±3°
.00 ±0.20	.0° ±2°
.000 ±0.10	.00° ±1°

## LDCONN 东莞连大精密制品有限公司

连大 DongGuan LianDa Precision Products Co., LTD

TITLE	2.0 Ejector Header SMT Type Long Latch	DRAWN BY	ZSL	18.10.13
PART NO	L240XX-XX2XXXXX	CHECKED BY		
DRAWING NO		APPROVED BY		
SCALE	1:1	UNIT	mm	
PAGE	1/1	SIZE	A4	