

HSF RoHS

REV	ECN NO	DESCRIPTION	DATE	NAME
A		NEW		

NOTES:

1.Material:

- 1.1 Housing:PBT Colour:Blue
- 1.2 Cover:PBT
- 1.3 Contact:COPPER ALLOY
- 1.4 Screw:1215MS
- 1.5 Shell:SPCC
- 1.6 Boardlock:SPCC

2.PLATING:

- 2.1 Contact: Ni/Sn
- 2.2 Screw: Cu/Ni
- 2.3 Shell: Cu/Ni
- 2.4 Boardlock:Cu/Ni/Sn

3.SPECIFICATION:

- 3.1 Contact Current Rating: 3 AMPS
- 3.2 Contact Resistance: 30m Ohm Max
- 3.2 Insulation Resistance:1000M Ohm Min. AT 500V DC
- 3.3 Dielectric Withstanding Volt:AC 500V(R.M.S)/1 minute
- 3.4 Operation Temperature:-55℃ - +105℃
- 3.5 Insertion Force: 5.0Kgf Max
- 3.6 Withdrawal Force: 1.5Kgf Min
- 3.7 Durability: 1000 Cycles

Ordering Information

L880X X - X X XX X

- 0; 180°
- 1; 90°
- 2; SMT
- 9;Welding line

- 1: Riveted screw
- 2: Locking screw
- 3: Without screw
- 4: No screw holes

- 1, Black
- 2, White
- 3, Blue
- 8, Atrovirens
- 6,
- 7, Au/Sn
- 8, Ni

0, 0.8U"

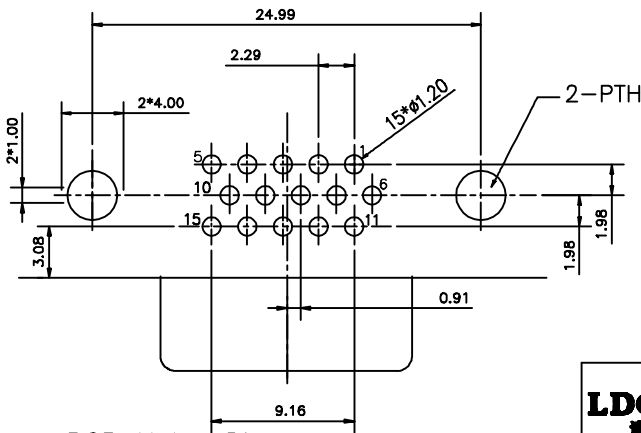
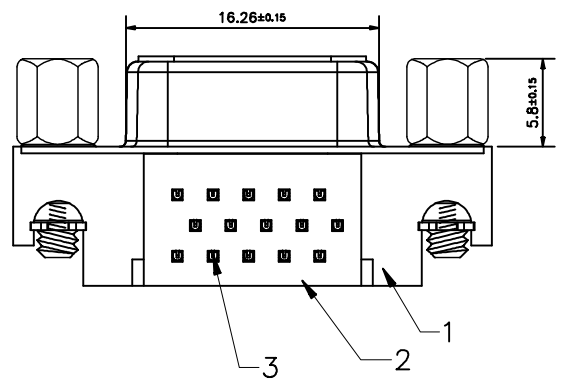
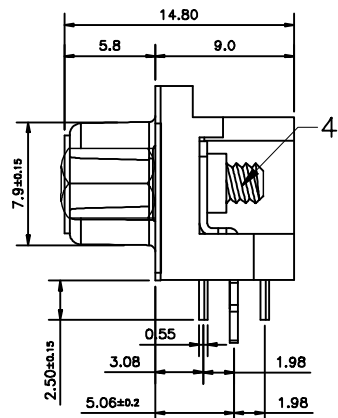
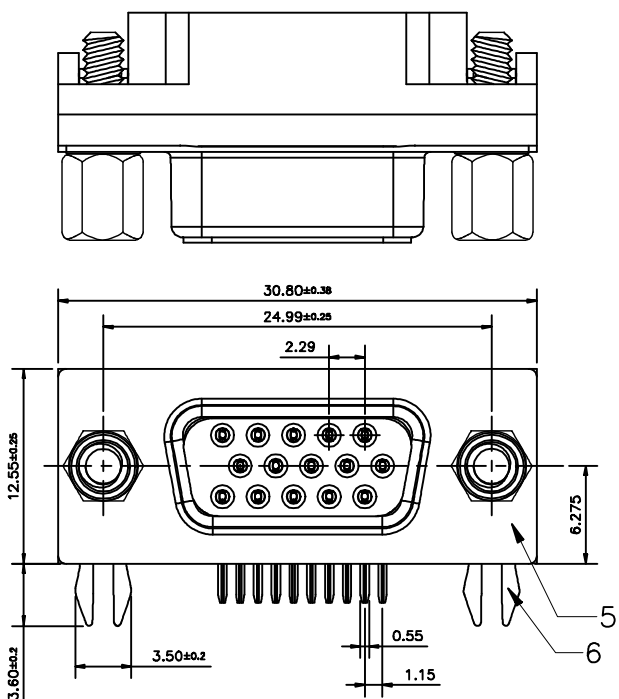
1, 1U"

4, 3U"

5, 5U"

Serial number
01-99

- Forking
- A=PE Bag
- B=Tube
- C=Tray
- D=Box



PCB Holes Diagram (Top View)

LDCONN 东莞连大精密制品有限公司
DongGuan LianDa Precision Products Co., LTD

STANDARD TOLERANCE (EXCEPT SPECIFIED)			
LINER		ANGLES	
.0	±0.30	0.°	±3°
.00	±0.25	.0°	±2°
.000	±0.15	.00°	±1°

TITLE	D-sub-X 15P Female With harpoon Straight locks	DRAWN BY	Lujunhui	18.11.07
PART NO	L88012-XXXXX	CHECKED BY		
DRAWING NO		APPROVED BY		
SCALE	1:1	UNIT	mm	PAGE 1/1
				SIZE A4