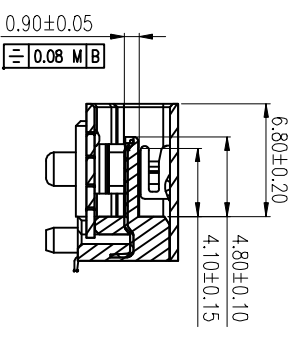
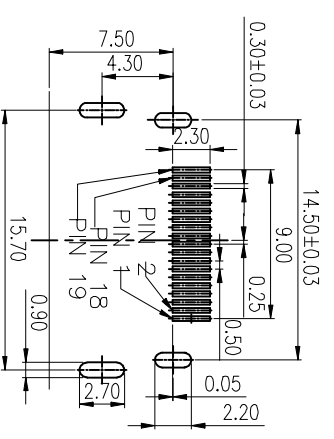
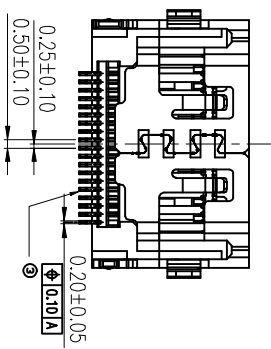
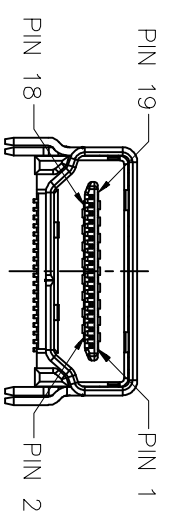
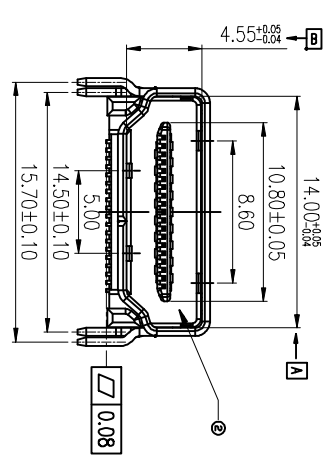
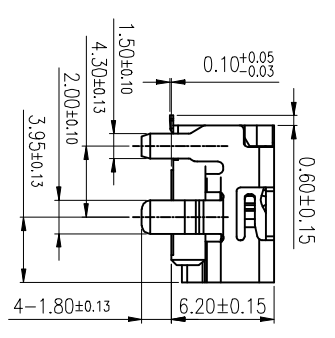
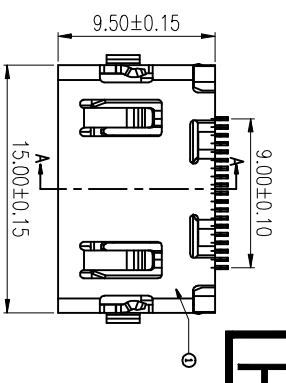


HSE ROHS

REV	ECN NO	DESCRIPTION	DATE	NAME
A		NEW		



SECT: A-A
SCALE: 1:1

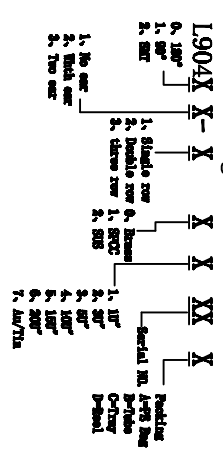


Recommended PCB Layout connector side
(General Tolerance: ±0.05)

- NOTE:
- Material: Housing: Thermoplastics, UL94V-0; COLOR: BLACK
Contact: Copper Alloy
Shell: Copper Alloy
 - FINISH:
Contact: Au Plated on Contact Area,
Matte Tin Plated on Solder Tails,
Nickel Underplating Over All.
 - Specification:
Shell: Nickel Underplating Over All.

Insulation Resistance(EIA-364-21):
100MΩ Min. at 500V/DC for 1Minute.
Contact Resistance(EIA-364-06): 10 mΩ Max.
Dielectric Withstanding Voltage(EIA-364-20):
No discharge, flashover or breakdown at 500V/AC 1minute

Ordering Information



STANDARD TOLERANCE (EXCEPT SPECIFIED)	ANGLES
LINER	
0 ±0.30	0° ±3°
.00 ±0.25	.0° ±2°
.000 ±0.15	.00° ±1°

NO.	DESCRIPTION	MATERIAL	REMARKS	QTY
3	TERMINAL	C2680	PLATED:NI/Au/Matte Tin	1SET
2	HOUSING	LCP UL94V-0	BLACK	1PCS
1	SHELL	C2680	NI 80u" Min	1PCS

TITLE	DRAWN BY	DATE
HMI/A/R-X SMT The short body		

PART NO	CHECKED BY
L90421-11XXXD	

DRAWING NO	APPROVED BY

SCALE	UNIT	PAGE	SIZE
1:1	MM	1/1	A4

LDCONN 东莞连大精密制品有限公司
Dongguan LianDa Precision Products Co., LTD

Lu Junhui 18.11.07