

HSE ROHS

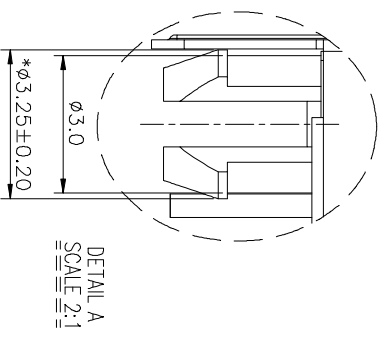
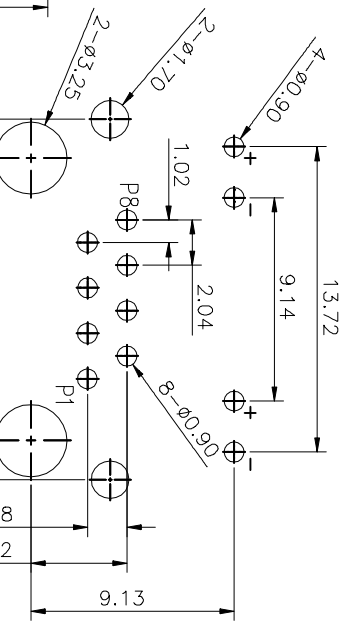
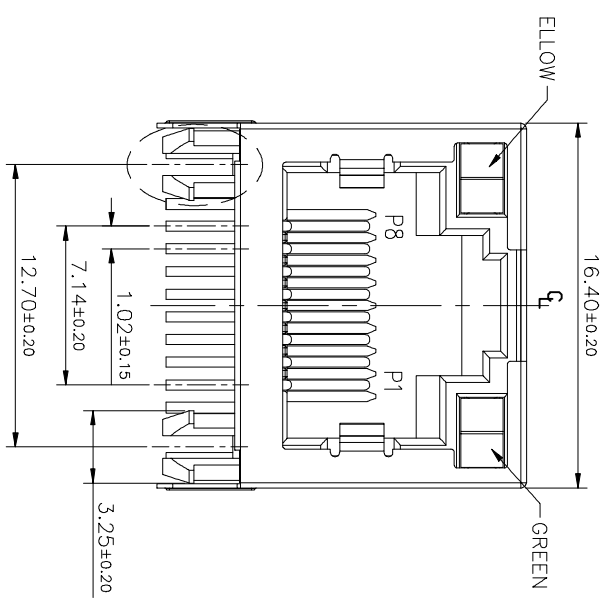
REV	ECN NO	DESCRIPTION	DATE	NAME
A		NEW		

- NOTE:
- MATERIAL:
 - 1.1 HOUSING: (HIGH TEMP.)THERMOPLASTIC UL94V-0 BLACK
 - 1.2 CONTACT: 0.45mm DIA COPPER ALLOY
 - 1.3 SHELL: COPPER ALLOY
 - FINISH:
 - 2.1 CONTACT: GOLD PLATED OVER ALL
 - 2.2 SHELL: NICKEL PLATING OVER ALL
 - LED1: YELLOW
 - LED2: GREEN

Ordering Information

L601XX - X X XX X

- 0:All covered no spring
- 1:8P8C
- 1=With LED
- 1.90°
- Packing: C=Tray, D=Reel
- Serial NO. 01-99



RECOMMENDED P.C.B LAYOUT (TOP VIEW)

STANDARD TOLERANCE (EXCEPT SPECIFIED)	LINEAR	ANGLES
0	±0.30	0.°
.00	±0.25	.0°
.000	±0.15	.00°

LDCONN 东莞连大精密制品有限公司		Dongguan LianDa Precision Products Co., LTD	
TITLE	RJ45 8P8C SMT Forward	DRAWN BY	LuJunhui
PART NO	L60101-11XXX	CHECKED BY	
DRAWING NO		APPROVED BY	
SCALE	1:1	UNIT	mm
		PAGE	1/1
		SIZE	A4