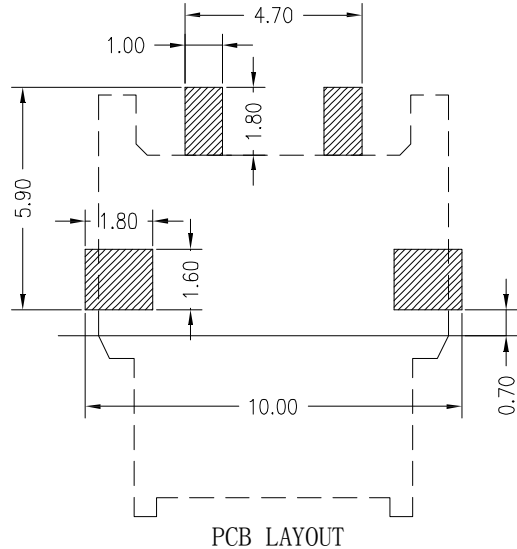
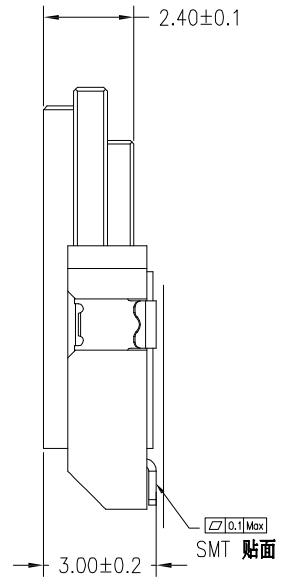
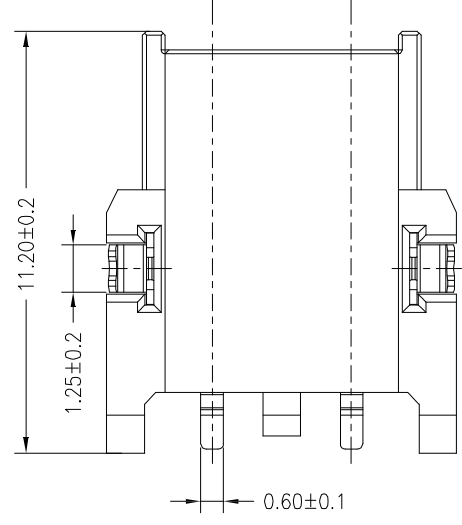
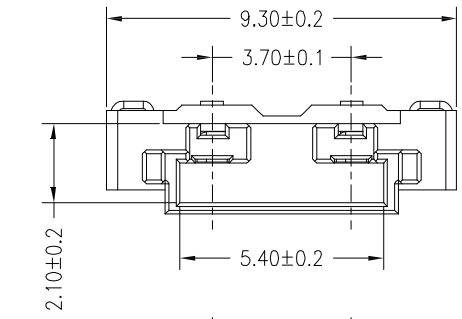
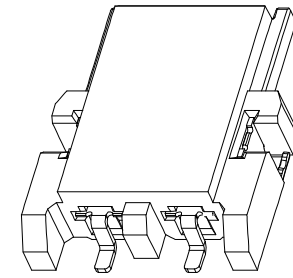


# HSF RoHS

REV	ECN NO	DESCRIPTION	DATE	NAME
A	—	NEW	11/21-'19	XXL

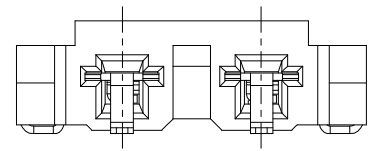


- Main Specifications:**
- 1.Poles:02p
  - 2.Contact Resistance:30 mΩ max.
  - 3.Insulator Resistance:1000 Megohms min.
  - 4.Rated voltage:500v AC DC
  - 5.Rated current:2.0A AC DC
  - 6.Dielectric withstanding Voltage: AC 1500V/minute
  - 7.-40°C to+85°C

## Ordering Information

**L3701P -XX - XXXB1 - R**

PART No. ————  
 No. OF CIRCUITS: 04  
 PLASTIC MATERIAL: F4M=LCP (BEIGE)  
 PACKAGING: R=REEL, P=PE  
 Metal code PhosphorBronze  
 PLATING: B=MATTE SN



**LDCONN 连大** 东莞连大精密制品有限公司  
 DongGuan LianDa Precision Products Co., LTD

STANDARD TOLERANCE (EXCEPT SPECIFIED)	
LINER	ANGLES
.0 ±0.30	0.° ±3°
.00 ±0.20	.0° ±2°
.000 ±0.10	.00° ±1°

TITLE	3.7MM PITCH 1X2P 90°WAFER SMT TYPE	DRAWN BY	XXL	11/21-'19
PART NO.	L3701P-02-XXXB1-R	CHECKED BY		
DRAWING NO.	—	APPROVED BY		
SCALE	1:1	UNIT	mm	PAGE 1/1
				SIZE A4