

# HSF RoHS

REV	ECN NO	DESCRIPTION	DATE	NAME
A		NEW	11/21-'19	LZM

## 主要技术参数 Main Specifications

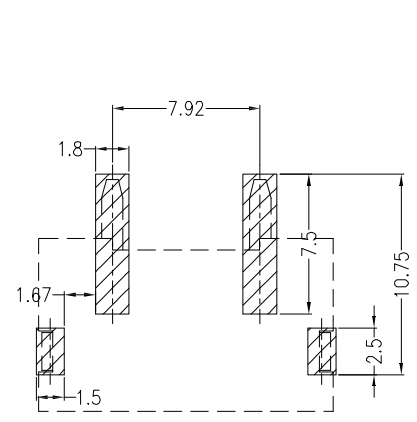
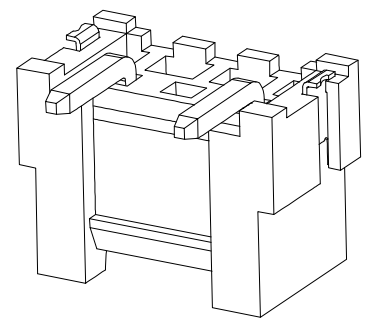
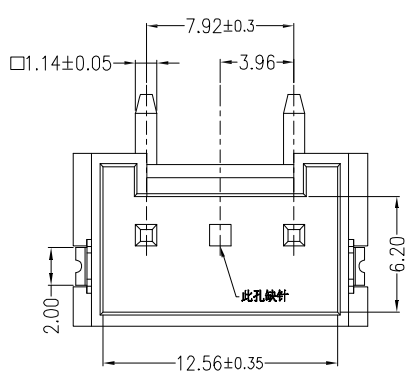
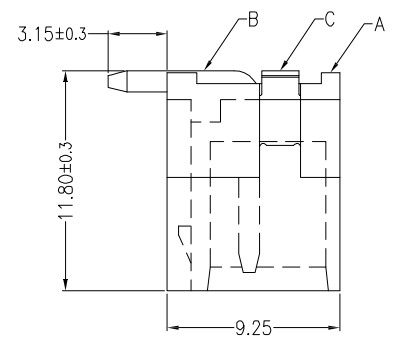
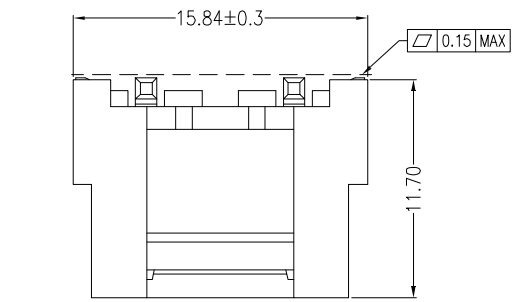
线 数 (Poles) :02 to 16  
 接触电阻 (Contact resistance): $\leq 20m\ \Omega$   
 绝缘电阻 (Insulation resistance): $\geq 1000M\ \Omega$   
 额定电压 (Rated voltage):250V AC DC  
 额定电流 (Rated current):7.0A AC DC  
 耐 电压 (Withstand Voltage):1500V AC/minute  
 温度范围 (Temperature Range):-25°C~+105°C

## ORDER INFORMATION:

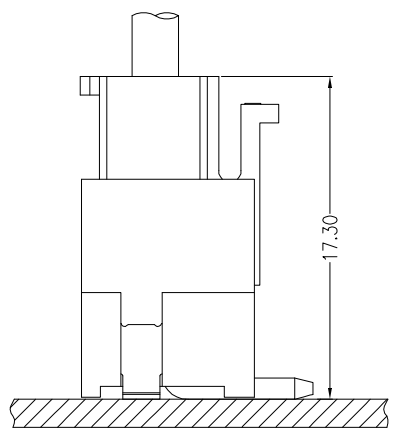
### L3962AWV-03 (2) -D1CA2-R

PART No.			
No. OF CIRCUITS:			
03 (2)			
PLASTIC MATERIAL:			
D1C=PA9T (BEIGE)			

**PACKAGING:**  
 R=REEL  
 G=TUBE  
 P=PE  
**PLATING:**  
 2=Brass  
 PLATING:  
 A=Sn



Mating PCB detail



Assembly Layout

STANDARD TOLERANCE (EXCEPT SPECIFIED)	
LINER	ANGLES
.0 ±0.30	0.° ±3°
.00 ±0.20	.0° ±2°
.000 ±0.10	.00° ±1°

ITEM	COMPONENT	Q'TY	MATERIAL	FINISH
C	SOLDER TAB	2 PCS	PhosphorBronze	Sn-plated
B	CONTACT	2 PCS	Brass	Sn-plated
A	PEDESTAL	1 PCS	PA9T	UL 94V-0, COLOR:BEIGE

**LDCONN 东莞连大精密制品有限公司**  
 连大 DongGuan LianDa Precision Products Co., LTD

TITLE	3.96MM PITCH 180° WAFER SMT TYPE	DRAWN BY	LZM	11/21-'19
PART NO	L3962AWV-03-D1CA2-R	CHECKED BY		
DRAWING NO		APPROVED BY		
SCALE	1:1	UNIT	mm	PAGE 1/1
				SIZE A4