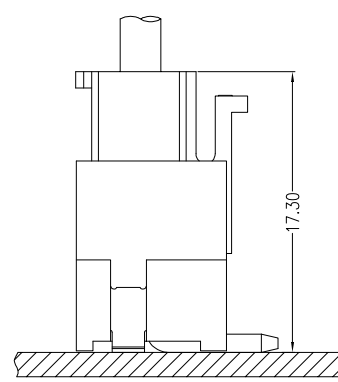
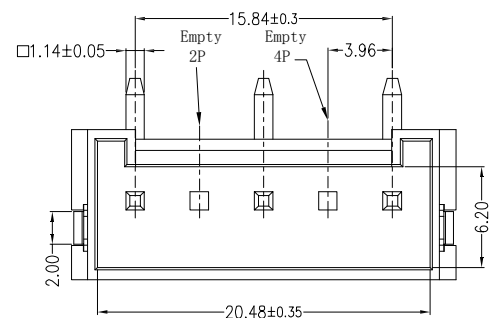
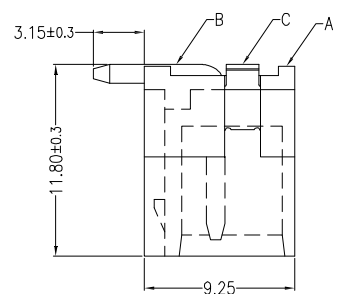
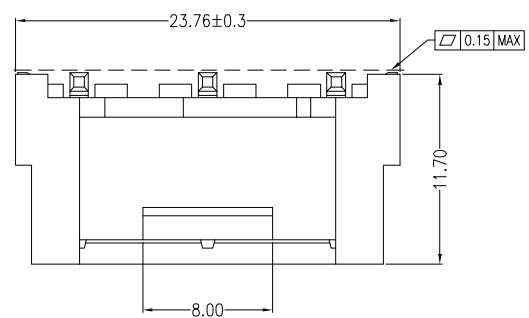
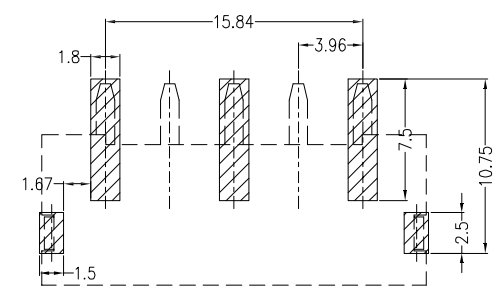


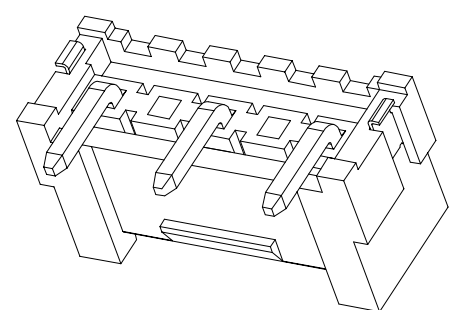
REV	ECN NO	DESCRIPTION	DATE	NAME
A	—	NEW	11/21-'19	LZM



Assembly Layout



Mating P/E detail

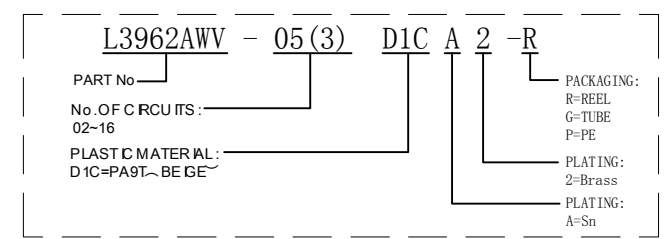


STANDARD TOLERANCE (EXCEPT SPECIFIED)	
LINER	ANGLES
.0 ±0.30	0.° ±3°
.00 ±0.20	.0° ±2°
.000 ±0.10	.00° ±1°

## 主要技术参数 Main Specifications

- 线 数 (Poles) :02 to 16
- 接触电阻 (Contact resistance):≤20m Ω
- 绝缘电阻 (Insulation resistance):≥1000M Ω
- 额定电压 (Rated voltage):250V AC DC
- 额定电流 (Rated current):7.0A AC DC
- 耐 电压 (Withstand Voltage):1500V AC/minute
- 温度范围 (Temperature Range):-25°C~+105°C

### ORDER INFORMATION:



C	SOLDER TAB	2 PCS	PhosphorBronze	Sn-plated
B	CONTACT	2 PCS	Brass	Sn-plated
A	PEDESTAL	1 PCS	PA9T	UL 94V-0, COLOR:BEIGE
ITEM	COMPONENT	Q'TY	MATERIAL	FINISH

## LDCONN 东莞连大精密制品有限公司 DongGuan LianDa Precision Products Co., LTD

TITLE	L3962AWV-05(3)-01R 3.96MM PITCH 180° WAFER SMT TYPE	DRAWN BY	LZM	11/21-'19
PART NO	L3962AWV-05(3)-D1CA2-R	CHECKED BY		
DRAWING NO		APPROVED BY		
SCALE	1:1	UNIT	mm	PAGE 1/1
				SIZE A4