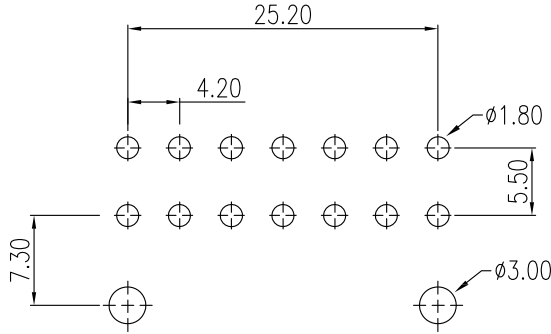
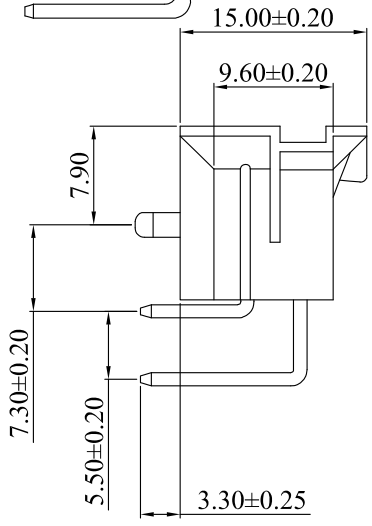
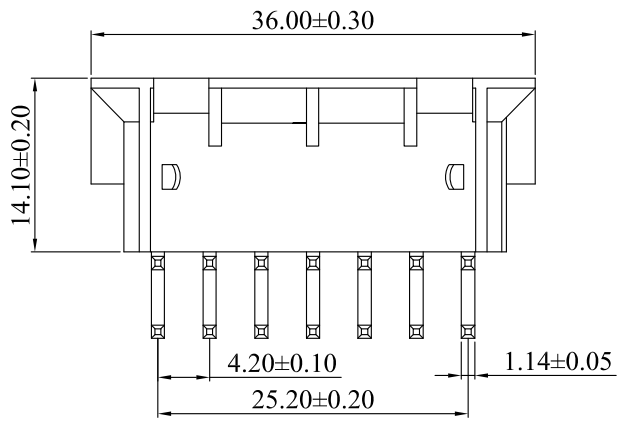
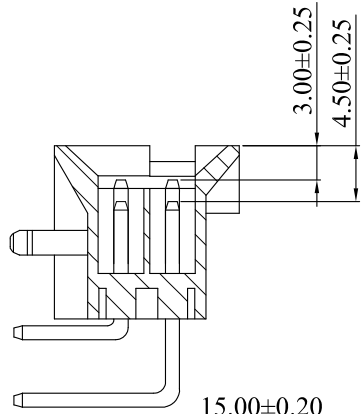
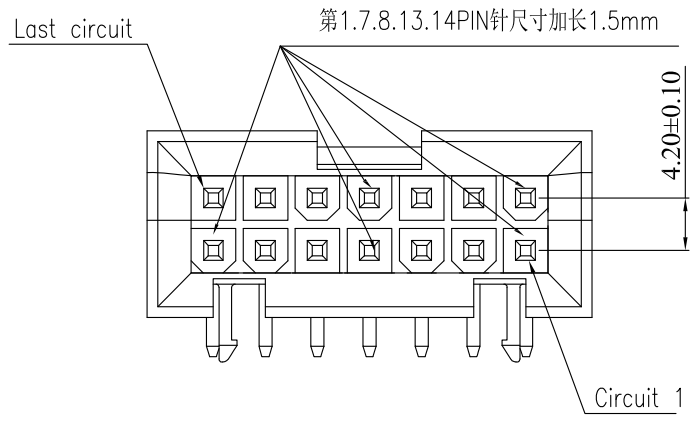


REV	ECN NO	DESCRIPTION	DATE	NAME
A		NEW	5/4-'20	HXY

HSF RoHS

SPECIFICATIONS;

CURRENT RATING:7A AC,DC
 VOLTAGE RATING:600V AC,DC
 TEMPERATURE RANGE:-25°C~+85°C
 TEMPERATURE:20mΩ MAX.
 INSULATION RESISTANCE:1000MΩ MIN.
 WITHSTANDING VOLTAGE:1500V AC/MINUTE
 MATERIAL:NY66 UL94V-0 Natural
 PIN MATERIAL:BRASS
 PLATING:80u" MIN TIN PLATING
 NICKEL PLATED WITH 30-60U"



PCB LAYOUT:Component Side
 Recommended PCB Thickness 1.78MAX

Ordering Information

L109XX - X X X X XX X

- P数
- 1、单排
- 2、双排
- 0、180°
- 1、90°
- 2、SMT
- 3、卧贴
- 9、反位立贴
- 2、
- 3、NY6T
- 4、LCP
- 5、NY66
- 6、
- 7、NY46
- 8、PA9T
- 流水号
- 0、无
- 1、打"K"点
- 2、
- 3、带柱
- 4、
- 5、直背
- 6、弯背
- A袋装
- B管装
- C盘装
- D卷装

TOLERANCE UNLESS OTHERWISE SPECIFIED	
LINER	ANGLES
.0 ±0.30	0.° ±3°
.00 ±0.20	.0° ±2°
.000 ±0.10	.00° ±1°

LDCONN 东莞连大精密制品有限公司 DongGuan LianDa Precision Products Co., LTD				
TITLE	WAFER-X PH4.2 2X7P 90°带柱 实心针	DRAWN BY	HXY	5/4-'20
PART NO	L10907-215302A	CHECKED BY		
DRAWING NO		APPROVED BY		
SCALE	1:1	UNIT	mm	PAGE 1/1 SIZE A4