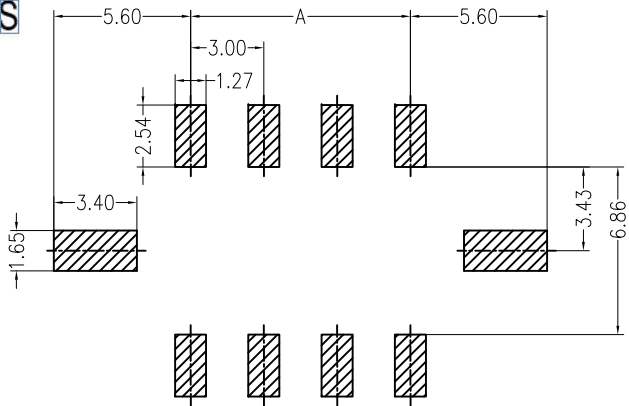
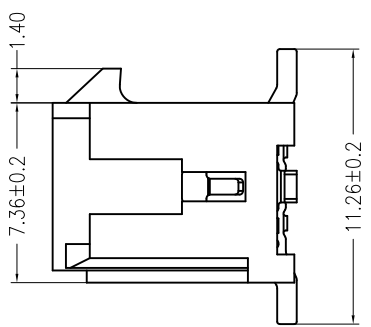
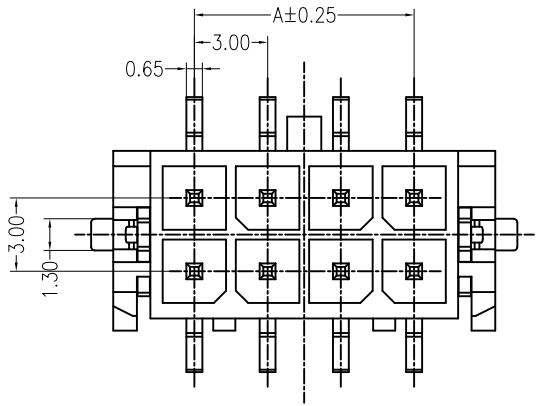
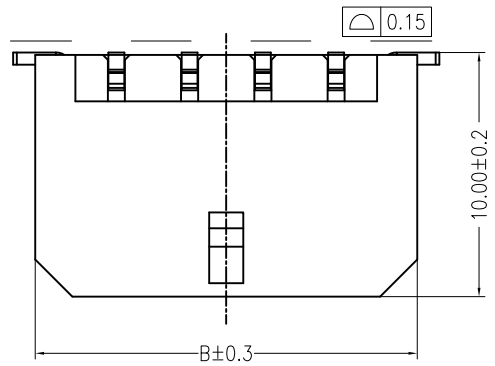
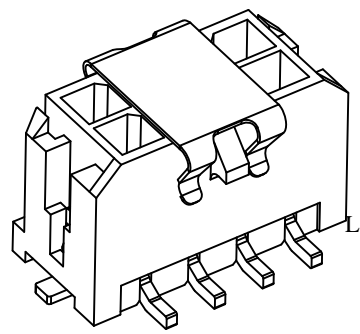


WITH COVER

HSF RoHS



PCB LAYOUT(Tolerance:±0.05)



REV	DESCRIPTION	DESIGN	DATE
A0	NEW RELEASE	Lingqing	2019/08/08

PIN	DIM A	DIM B
2x1		6.65
2x2	3.00	9.65
2x3	6.00	12.65
2x4	9.00	15.65
2x5	12.00	18.65
2x6	15.00	21.65
2x7	18.00	24.65
2x8	21.00	27.65
2x9	24.00	30.65
2x10	27.00	33.65
2x11	30.00	36.65
2x12	33.00	39.65

Specifications:

- Contact resistance: ≤10mΩ
- Insulation resistance: ≥1000MΩ
- Rated voltage: 250V AC DC
- Rated current: 5.0A AC DC
- Withstand Voltage: 1000V AC/minute
- Temperature Range: -25℃ ~ +85℃
- Housing: LCP UL94V-0, BLACK
- Contacts: Brass/MATTE Sn-plated
- Solder Tabs: Brass/MATTE Sn-plated
- CAP: Stainless steel

ORDER INFORMATION:

L3001AWV-2-F9KB3-R-X**

PART No. _____	X:CAP
No.OF CIRCUITS: _____	PACKAGING:
04-24	R=REEL
PLASTIC MATERIAL: _____	Metal code:
F9K=LCP	3=Brass
	PLATING:
	B=MATTE Sn

LDCONN 东莞连大精密制品有限公司 DongGuan LianDa Precision Products Co., LTD		TITLE: 3.0 Pitch Wafer 180° SMT	
GENERAL TOLERANCE		USE: CUSTOMER	PART NO.:
X. ±0.50	X. ±5'	APPD: Liuzhengling	L3001AWV-2**-F9KB3-R-X
X.X ±0.30	X.X ±2'	CHKD: Steven	DWG NO.:
X.XX ±0.20	X.XX ±1'	DR: Zenglingqing	GCKH-0813
UNITS: mm		SCALE 1 : 1	SHEET 1 / 1