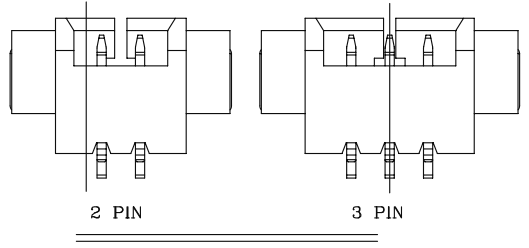
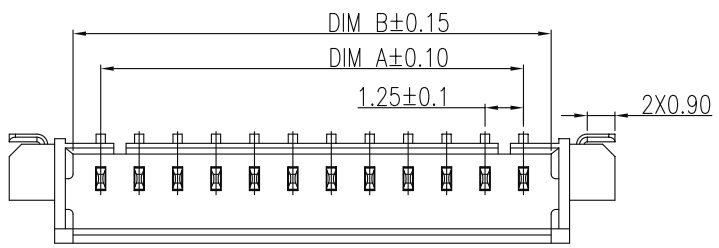
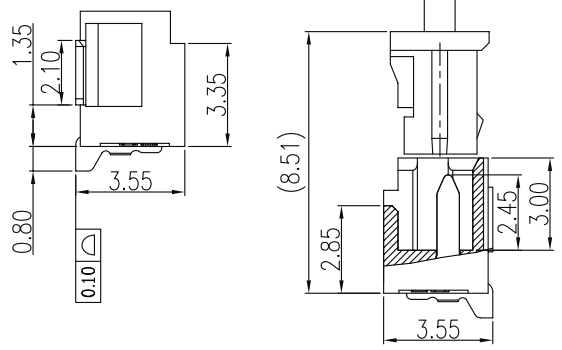
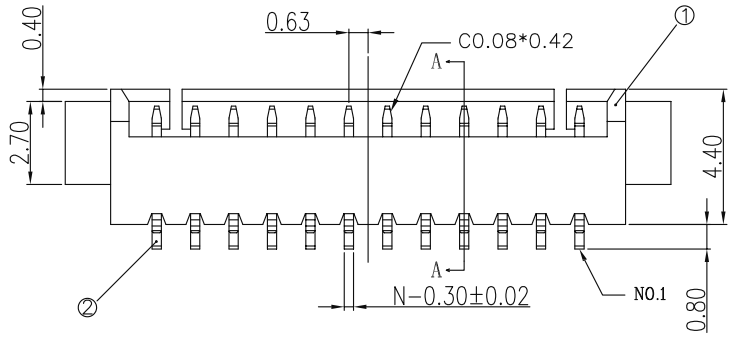


REV	ECN NO	DESCRIPTION	DATE	NAME
A		NEW	5/19-'20	HYJ

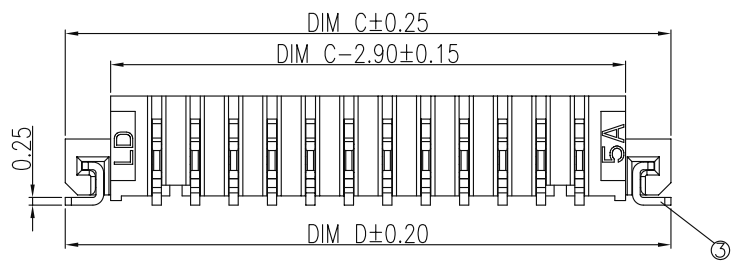


LOCK CONFIGURATION (鎖扣位置)

- Specifications**
- 1.Current Rating:1Amps
 - 2.VOLTAGE RATING:125V AC,DC
 - 3.Operating Temperature:-25°C to+85°C
 - 4.Contact Resistance:30 mΩ Max.
 - 5.Insulation Resistance:100 MΩ Min.
 - 6.Dielectric withstanding Voltage: AC 500V
 - 7.Contact Material: Phosphor Bronze T=0.30mm
 - 8.Soldering lug:Brass T=0.25mm
 - 9.Insulation Material:LCP 30% Glass fiber filled UL94V-0 rated;
 - 10.Plated: Plated: 80U" MIN TIN PLATING Nickel plated with 30u"-60u "
 - 11.Salt Spray:12h;
 - 12.Marked "*" symbol are major dimensions.



SECTION A-A

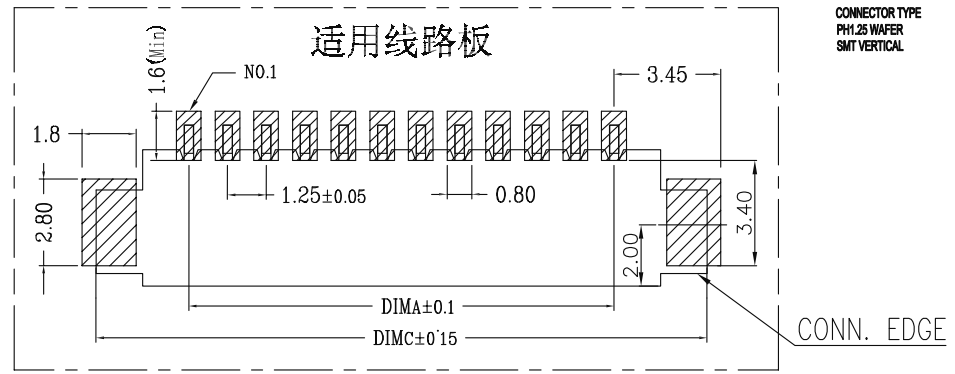


PIN	DIM=A	DIM=B	DIM=C	DIM=D
2	1.25	3.05	7.20	7.2
3	2.5	4.30	8.45	8.45
4	3.75	5.55	9.70	9.7
5	5.0	6.80	10.95	10.95
6	6.25	8.05	12.20	12.20
7	7.5	9.30	13.45	13.45
8	8.75	10.55	14.70	14.7
9	10.0	11.80	15.95	15.95
10	11.25	13.05	17.20	17.20
11	12.5	14.30	18.45	18.45
12	13.75	15.55	19.70	19.7
13	15.0	16.80	20.95	20.95
14	16.25	18.05	22.20	22.2
15	17.5	19.30	23.45	23.45
16	18.75	20.55	24.70	24.7
17	20.00	21.80	25.95	25.95
18	21.25	23.05	27.20	27.2
19	22.50	24.30	28.45	28.45
20	23.75	25.55	29.70	29.7

Ordering Information

LA1251AWR XX - X X X X X

CONNECTOR TYPE: PH1.25 WAFER SMT VERTICAL
 NO. OF PIN: 02:2PIN 03:3PIN 20:20PIN
 INSULATOR MATERIAL: 4. LCP(COLOR:BEIGE)
 METALS MATERIAL: 2. CONTACT PHOSPHOR BRONZE *GROUND LUG: BRASS
 PLATING: 6. BRIGHT TIN
 SPECIAL CODE: C:CAP N:WITHOUT CAP
 PACKING: B:TUBE D:TAPE REEL



STANDARD TOLERANCE (EXCEPT SPECIFIED)	
LINER	ANGLES
.0 ±0.30	0.° ±3°
.00 ±0.20	.0° ±2°
.000 ±0.10	.00° ±1°

LDCONN 东莞连大精密制品有限公司
 连大 DongGuan LianDa Precision Products Co., LTD

TITLE	WF PH1.25 N P 卧贴 米黄色	DRAWN BY	HYJ	5/19-'20
PART NO	LA1251AWRXX-428ND	CHECKED BY		
DRAWING NO		APPROVED BY		
SCALE	1:1	UNIT	mm	PAGE 1/1
				SIZE A4