

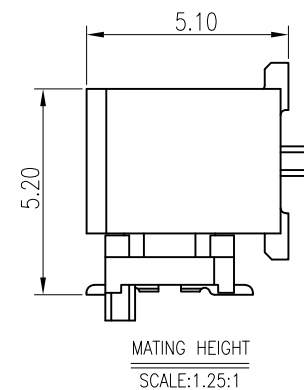
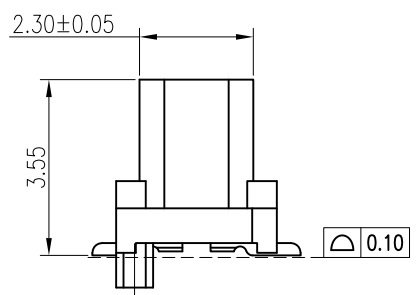
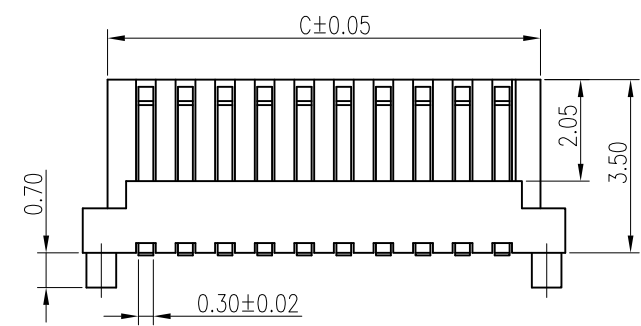
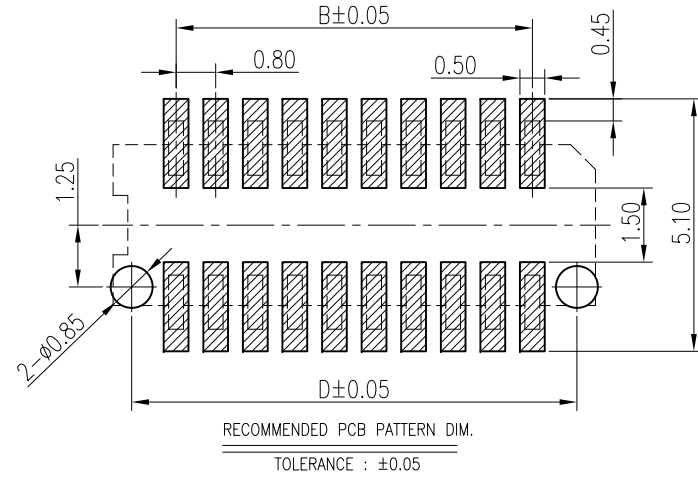
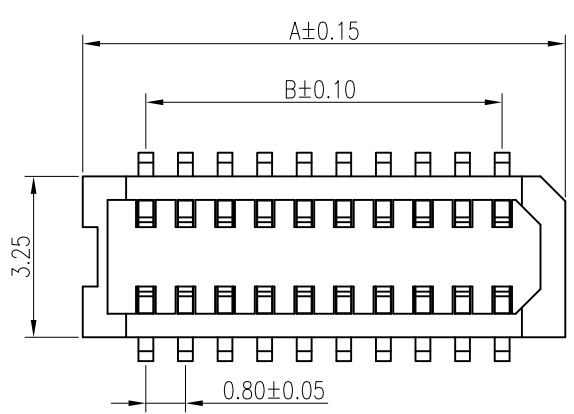
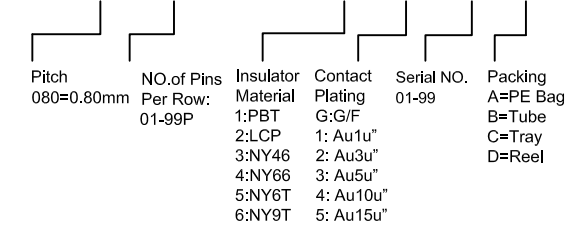
REV	ECN NO	DESCRIPTION	DATE	NAME
A		NEW	10/07-'20	S X S

**NOTES:**

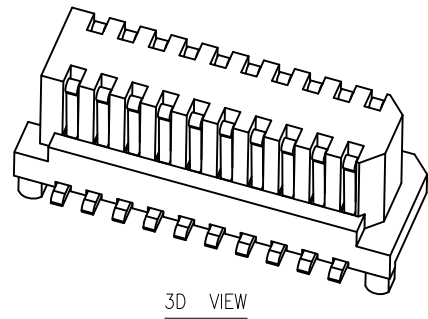
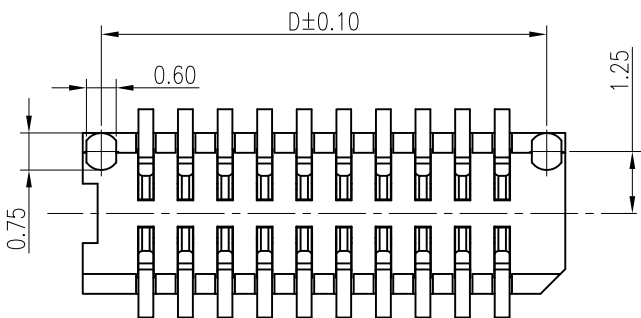
- 1.HUOSING: PA9T HIGH-TEMP THERMOPLASTIC UL94V-0  
COLOR:CREAM-COLOURED
- 2.TERMINAL:PHOSPHOR BRONZE OVERALL 50~100U" NICKEL  
UNDER PLATED PLATING GOLD FLASH

**Ordering Information**

**LBT 080 - XX M S 6 X XX X**



NO. of contacts	Dimensions			
	A	B	C	D
4	3.35	0.80	2.35	2.60
6	4.15	1.60	3.15	3.40
8	4.95	2.40	3.95	4.20
10	5.75	3.20	4.75	5.00
12	6.55	4.00	5.55	5.80
14	7.35	4.80	6.35	6.60
16	8.15	5.60	7.15	7.40
18	8.95	6.40	7.95	8.20
20	9.75	7.20	8.75	9.00
22	10.55	8.00	9.55	9.80
24	11.35	8.80	10.35	10.60
26	12.15	9.60	11.15	11.40
28	12.95	10.40	11.95	12.20
30	13.75	11.20	12.75	13.00
32	14.55	12.00	13.55	13.80
34	15.35	12.80	14.35	14.60
36	16.15	13.60	15.15	15.40
38	16.95	14.40	15.95	16.20
40	17.75	15.20	16.75	17.00
42	18.55	16.00	17.55	17.80
44	19.35	16.80	18.35	18.60
46	20.15	17.60	19.15	19.40
48	20.95	18.40	19.95	20.20
50	21.75	19.20	20.75	21.00
52	22.55	20.00	21.55	21.80



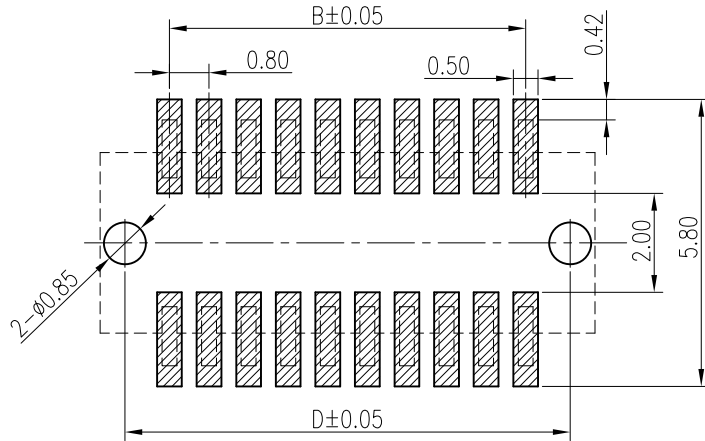
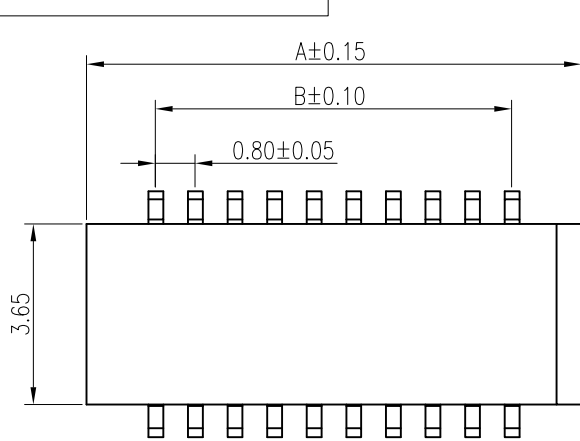
3D VIEW

STANDARD TOLERANCE (EXCEPT SPECIFIED)	
LINER	ANGLES
.0 ±0.30	0.° ±3°
.00 ±0.20	.0° ±2°
.000 ±0.10	.00° ±1°

**LDCONN 东莞连大精密制品有限公司**  
**DongGuan LianDa Precision Products Co., LTD**

TITLE	B-T-B PH0.8 2XNP (MATING HEIGHT H5.2) HEADER	DRAWN BY	S X S	10/07-'20
PART NO.	LBT080-XXMS6XXXD	CHECKED BY		
DRAWING NO.		APPROVED BY		
SCALE	1:1	UNIT	mm	PAGE 1/1
				SIZE A4

REV	ECN NO	DESCRIPTION	DATE	NAME
A		NEW	10/07-'20	S X S



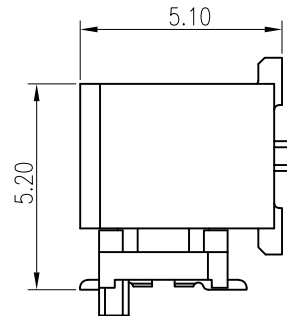
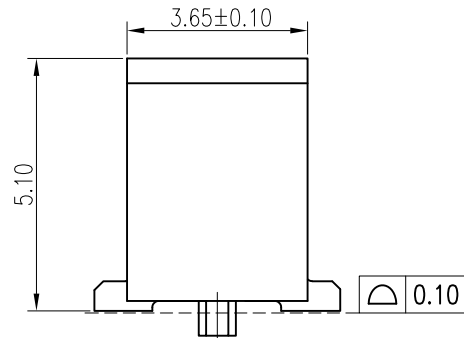
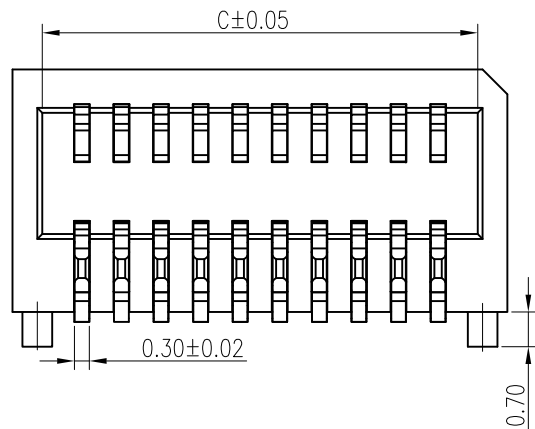
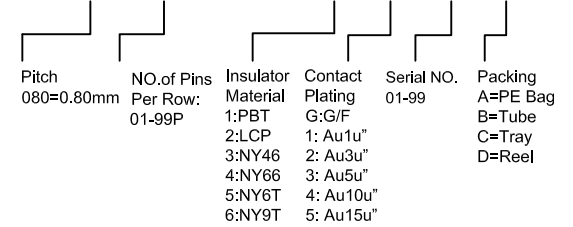
RECOMMENDED PCB PATTERN DIM.  
TOLERANCE : ±0.05

**NOTES:**

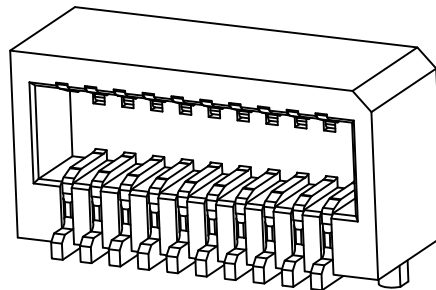
- 1.HUOSING: PA9T HIGH-TEMP THERMOPLASTIC UL94V-0  
COLOR:CREAM-COLOURED
- 2.TERMINAL:PHOSPHOR BRONZE OVERALL 50~100U" NICKEL  
UNDER PLATED PLATING GOLD FLASH

**Ordering Information**

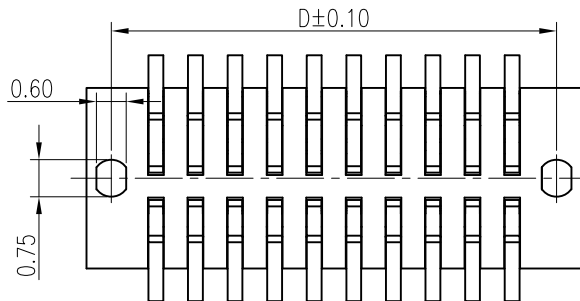
**LBT 080 - XX F S 6 X XX X**



MATING HEIGHT  
SCALE:1.25:1



3D VIEW



NO. of contacts	Dimensions			
	A	B	C	D
4	3.60	0.80	2.40	2.60
6	4.40	1.60	3.20	3.40
8	5.20	2.40	4.00	4.20
10	6.00	3.20	4.80	5.00
12	6.80	4.00	5.60	5.80
14	7.60	4.80	6.40	6.60
16	8.40	5.60	7.20	7.40
18	9.20	6.40	8.00	8.20
20	10.00	7.20	8.80	9.00
22	10.80	8.00	9.60	9.80
24	11.60	8.80	10.40	10.60
26	12.40	9.60	11.20	11.40
28	13.20	10.40	12.00	12.20
30	14.00	11.20	12.80	13.00
32	14.80	12.00	13.60	13.80
34	15.60	12.80	14.40	14.60
36	16.40	13.60	15.20	15.40
38	17.20	14.40	16.00	16.20
40	18.00	15.20	16.80	17.00
42	18.80	16.00	17.60	17.80
44	19.60	16.80	18.40	18.60
46	20.40	17.60	19.20	19.40
48	21.20	18.40	20.00	20.20
50	22.00	19.20	20.80	21.00
52	22.80	20.00	21.60	21.80

STANDARD TOLERANCE (EXCEPT SPECIFIED)	
LINER	ANGLES
.0 ±0.30	0.° ±3°
.00 ±0.20	.0° ±2°
.000 ±0.10	.00° ±1°

**LDCONN 东莞连大精密制品有限公司**  
DongGuan LianDa Precision Products Co., LTD

TITLE	B-T-B PH0.8 2XNP (MATING HEIGHT H5.2) SOCKET	DRAWN BY	S X S	10/07-'20
PART NO.	LBT080-XXFS6XXXD	CHECKED BY		
DRAWING NO.		APPROVED BY		
SCALE	1:1	UNIT	mm	PAGE 1/1
				SIZE A4