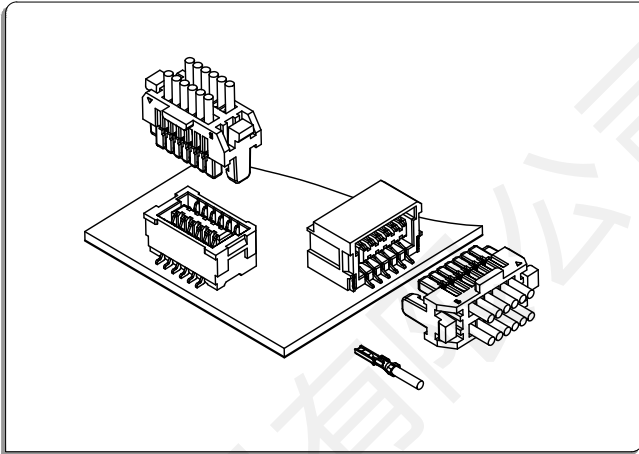


WB100B-4 (SHD) Connector 1.0mm Pitch

WTB
1.0

WB100B-4 (SHD) Connector 1.0mm Pitch

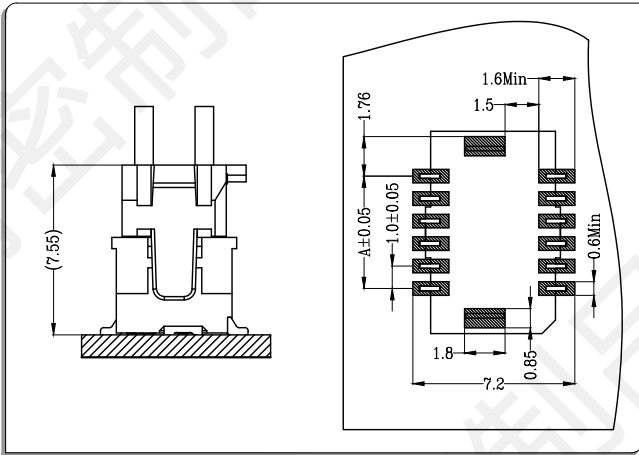


● 技术参数 SPECIFICATIONS

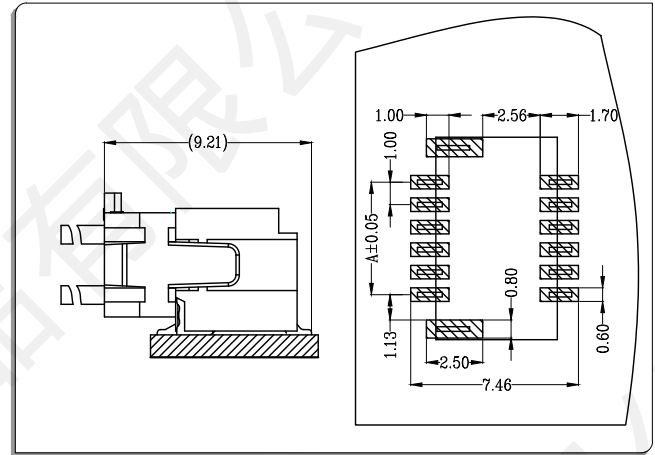
- 1、极数CKT: 2*4Pin to 2*25Pin
- 2、额定电流Current rating: 1A AC/DC
- 3、额定电压Voltage rating(max): 50V, AC/DC
- 4、工作温度Working Temperature: -25°C~+85°C, (含通电温度上升值)
(Including temperature rise in applying electrical current)
- 5、接触电阻Contact resistance: 初始Initial value $\leq 20\text{m}\Omega$
环境测试后After environmental testing $\leq 40\text{m}\Omega$
- 6、绝缘电阻Insulation resistance: $\geq 100\text{M}\Omega$
- 7、耐电压Withstand voltage: 500VAC(rms)
- 8、适用线规 Applicable wire: AWG #32 to #28
- 9、适用基板厚度Applicable PC board thickness: 1.6mm to 2.0mm

● 安装尺寸 Mounting Measurement

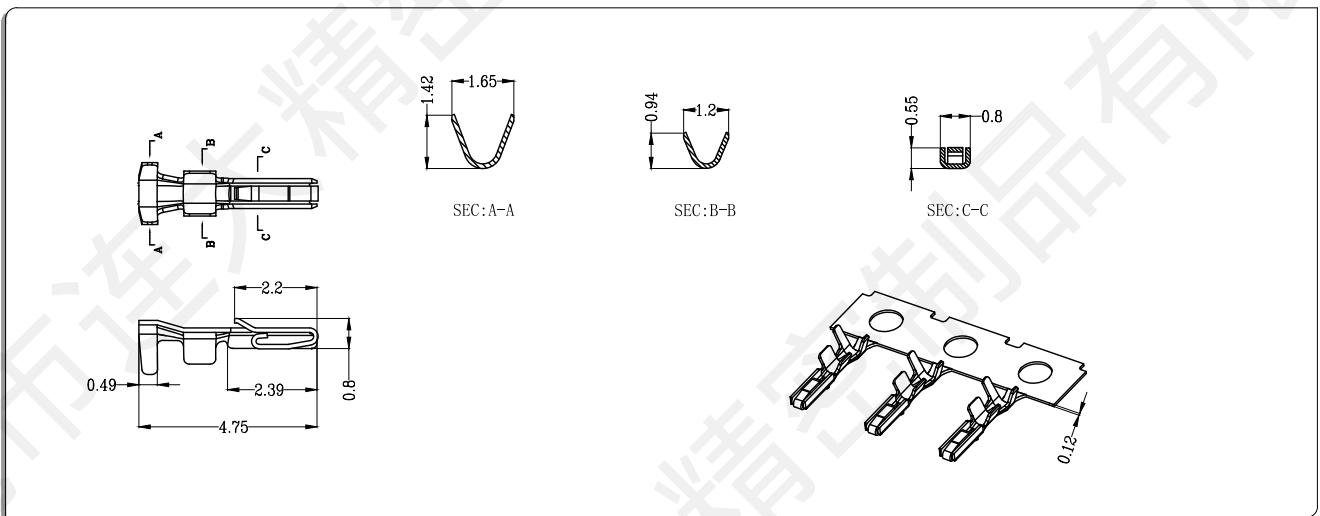
● 立式 Straight Angle



● 卧式 Right Angle



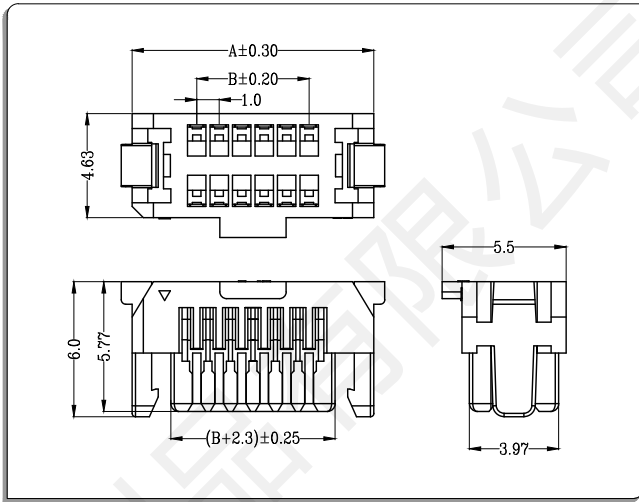
● 端子Terminal: T=0.12mm



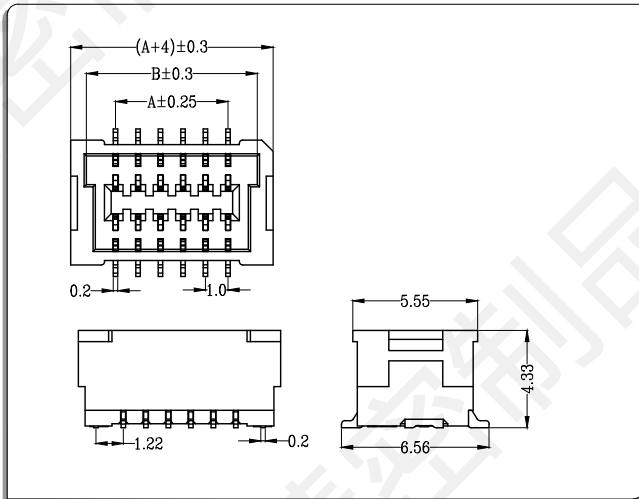
Part No.	Wire Range	Insulation O.D	Material	Finish
WB100B0-T0	AWG#32~#28	0.6mm MAX	phosphor bronze	Tin & Gold-plated

WB100B-4(SHD) Connector 1.0mm Pitch

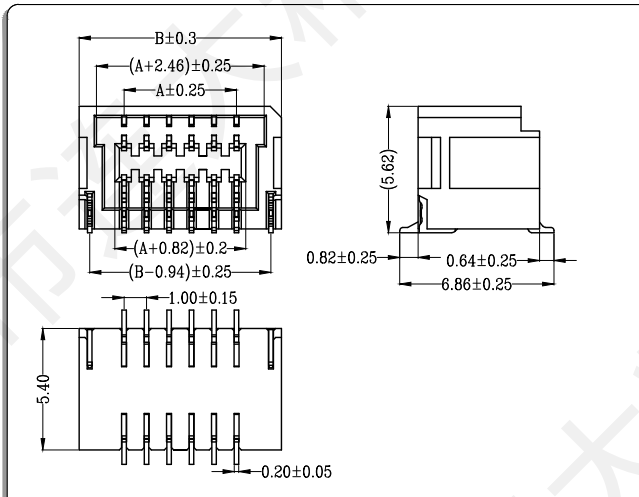
- 公头胶壳 Housing
- 材料Material: Nylon 66 UL94V-0



- 针座 Wafer
- 材料与表面处理 Material and Finish:
Housing:LCP UL94V-0 & Terminal:phosphor bronze &
Fitting:phosphor bronze; Finish:Tin-plated & Gold-plated



- 材料与表面处理 Material and Finish:
Housing:LCP UL94V-0 & Terminal:phosphor bronze &
Fitting:phosphor bronze; Finish:Tin-plated & Gold-plated



CKT	Part No	DIM A	DIM B
2*4	WB100B0-08	8.75	3.00
2*5	WB100B0-10	9.75	4.00
2*6	WB100B0-12	10.75	5.00
2*7	WB100B0-14	11.75	6.00
2*8	WB100B0-16	12.75	7.00
2*9	WB100B0-18	13.75	8.00
2*10	WB100B0-20	14.75	9.00
2*11	WB100B0-22	15.75	10.00
2*12	WB100B0-24	16.75	11.00
2*14	WB100B0-28	18.75	13.00
2*15	WB100B0-30	19.75	14.00
—	—	—	—
2*25	WB100B0-50	29.75	24.00

CKT	Part No	DIM A	DIM B
2*4	WB100BL-08	3.00	5.60
2*5	WB100BL-10	4.00	6.60
2*6	WB100BL-12	5.00	7.60
2*7	WB100BL-14	6.00	8.60
2*8	WB100BL-16	7.00	9.60
2*9	WB100BL-18	8.00	10.60
2*10	WB100BL-20	9.00	11.60
2*11	WB100BL-22	10.00	12.60
2*12	WB100BL-24	11.00	13.60
2*13	WB100BL-26	12.00	14.60
2*14	WB100BL-28	13.00	15.60
—	—	—	—
2*25	WB100BL-50	24.00	26.60

CKT	Part No	DIM A	DIM B
2*4	WB100BW-08	3.00	7.00
2*5	WB100BW-10	4.00	8.00
2*6	WB100BW-12	5.00	9.00
2*7	WB100BW-14	6.00	10.00
2*8	WB100BW-16	7.00	11.00
2*9	WB100BW-18	8.00	12.00
2*10	WB100BW-20	9.00	13.00
2*11	WB100BW-22	10.00	14.00
2*12	WB100BW-24	11.00	15.00
2*13	WB100BW-26	12.00	16.00
2*14	WB100BW-28	13.00	17.00
—	—	—	—
2*20	WB100BW-40	19.00	23.00

WB1.0

WB100B-4(SHD) Connector 1.0mm Pitch