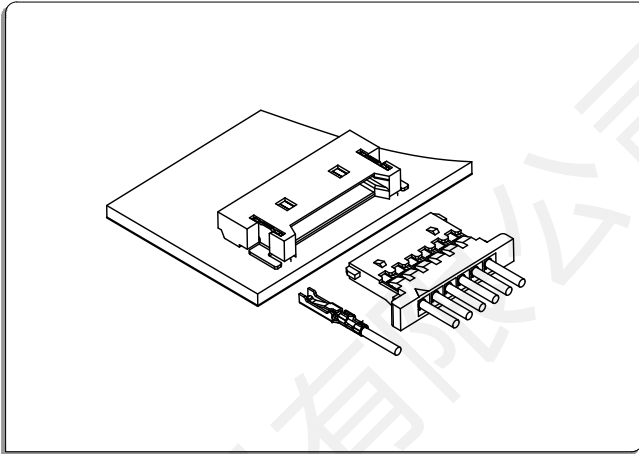


WT125J(51146) Connector 1.25mm Pitch

WTB
1.25

WT125J(51146) Connector 1.25mm Pitch

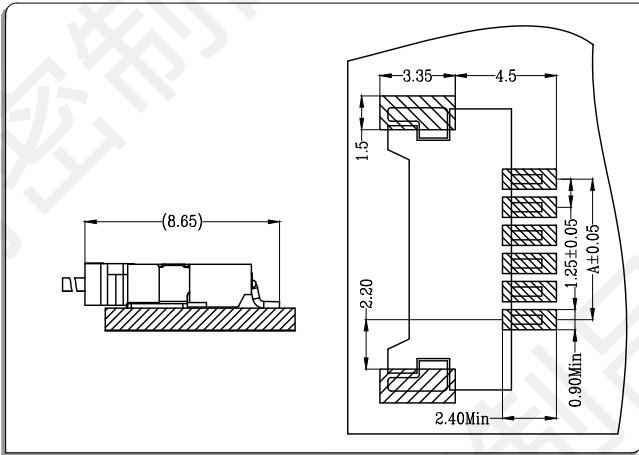


● 技术参数 SPECIFICATIONS

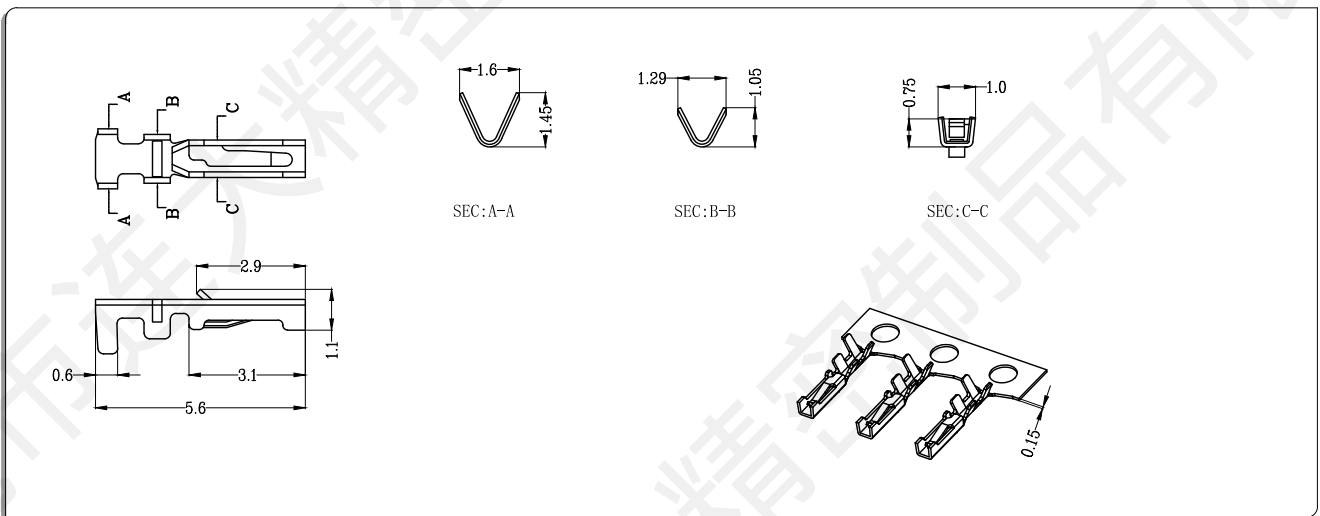
- 1、极数CKT: 2Pin to 20Pin
- 2、额定电流Current rating: 1A AC/DC
- 3、额定电压Voltage rating(max): 125V, AC/DC
- 4、工作温度Working Temperature: -25℃~+85℃, (含通电温度上升值)
(Including temperature rise in applying electrical current)
- 5、接触电阻Contact resistance: 初始Initial value $\leq 20m\Omega$
环境测试后After environmental testing $\leq 40m\Omega$
- 6、绝缘电阻Insulation resistance: $\geq 100M\Omega$
- 7、耐电压Withstand voltage: 500VAC(rms)
- 8、适用线规 Applicable wire: AWG #32 to #28
- 9、适用基板厚度Applicable PC board thickness: 1.6mm to 2.0mm

● 安装尺寸 Mounting Measurement

● 卧式 Right Angle



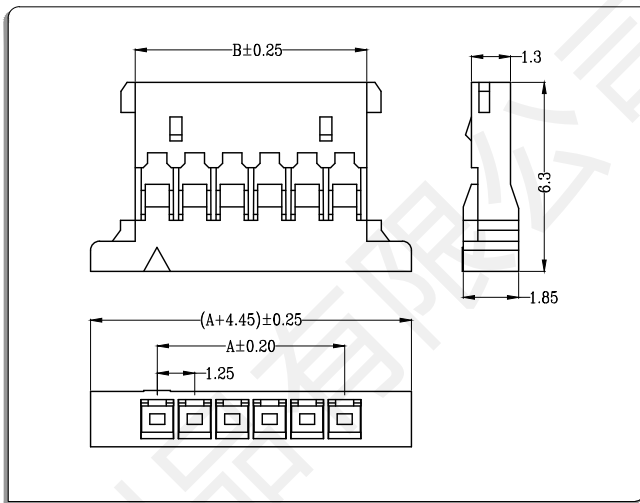
● 端子Terminal: T=0.15mm



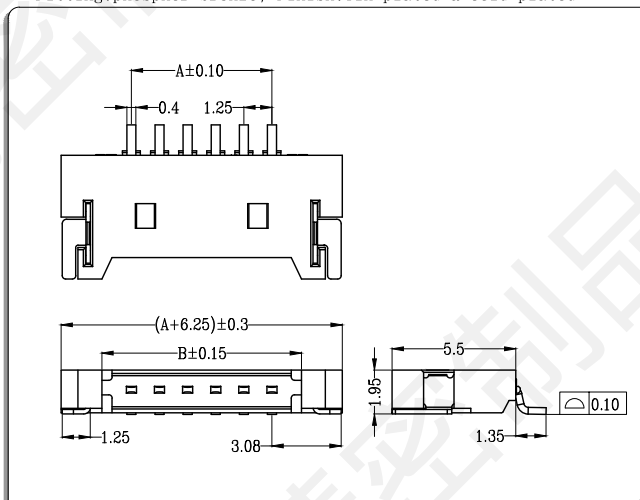
Part No.	Wire Range	Insulation O.D	Material	Finish
WT125J0—T0	AWG#32~#28	0.8mm MAX	phosphor bronze	Tin & Gold-plated

WT125J(51146) Connector 1.25mm Pitch

- 公头胶壳 Housing
- 材料Material: Nylon 66 UL94V-0



- 针座 Wafer
- 材料与表面处理 Material and Finish:
Housing:PA6T UL94V-0 & Terminal:phosphor bronze &
Fitting:phosphor bronze; Finish:Tin-plated & Gold-plated



CKT	Part No	DIM A	DIM B
2	WT125J0-02	1.25	2.72
3	WT125J0-03	2.50	3.97
4	WT125J0-04	3.75	5.22
5	WT125J0-05	5.00	6.47
6	WT125J0-06	6.25	7.72
7	WT125J0-07	7.50	8.97
8	WT125J0-08	8.75	10.22
9	WT125J0-09	10.00	11.47
10	WT125J0-10	11.25	12.72
11	WT125J0-11	12.50	13.97
12	WT125J0-12	13.75	15.22
—	— —	—	—
20	WT125J0-20	23.75	25.22

CKT	Part No	DIM A	DIM B
2	WT125JW-02	1.25	3.87
3	WT125JW-03	2.50	5.12
4	WT125JW-04	3.75	6.37
5	WT125JW-05	5.00	7.62
6	WT125JW-06	6.25	8.87
7	WT125JW-07	7.50	10.12
8	WT125JW-08	8.75	11.37
9	WT125JW-09	10.00	12.62
10	WT125JW-10	11.25	13.87
11	WT125JW-11	12.50	15.12
12	WT125JW-12	13.75	16.37
—	— —	—	—
20	WT125JW-20	23.75	26.37

WTB
1.25

WT125J(51146) Connector 1.25mm Pitch