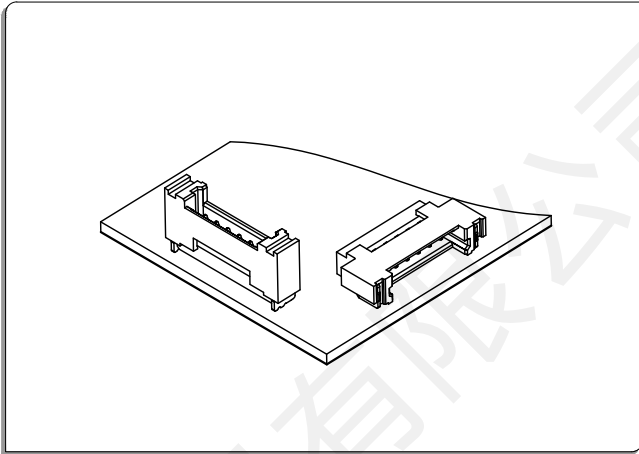


# WT125F (DF16) Connector 1.25mm Pitch

WTB  
1.25

WT125F (DF16) Connector 1.25mm Pitch

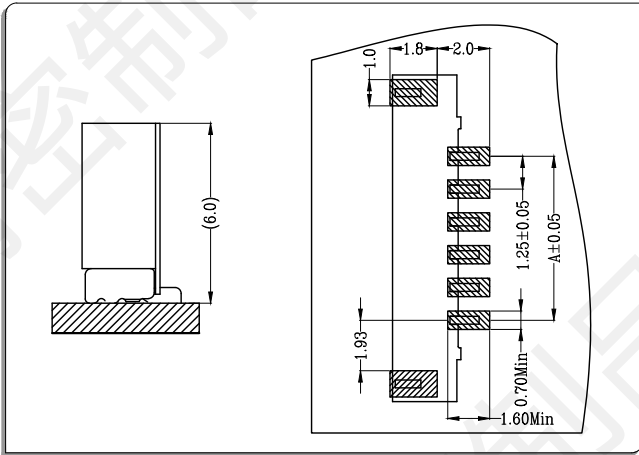


## ● 技术参数 SPECIFICATIONS

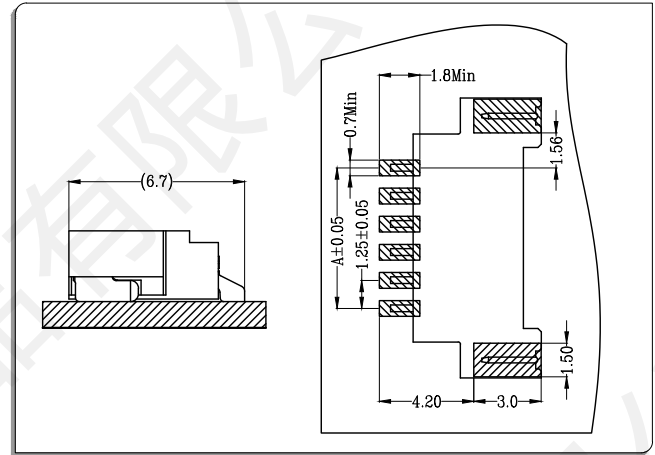
- 1、极数CKT: 2Pin to 30Pin
- 2、额定电流Current rating: 1A AC/DC
- 3、额定电压Voltage rating(max): 150V, AC/DC
- 4、工作温度Working Temperature: -25°C~+85°C,  
(含通电温度上升值)  
(Including temperature rise in applying electrical current)
- 5、接触电阻Contact resistance: 初始Initial value  $\leq 20m\Omega$   
环境测试后After environmental testing  $\leq 30m\Omega$
- 6、绝缘电阻Insulation resistance:  $\geq 500M\Omega$
- 7、耐电压Withstand voltage: 500VAC (rms)
- 8、适用基板厚度Applicable PC board thickness: 1.6mm to 2.0mm

## ● 安装尺寸 Mounting Measurement

### ● 立式 Straight Angle

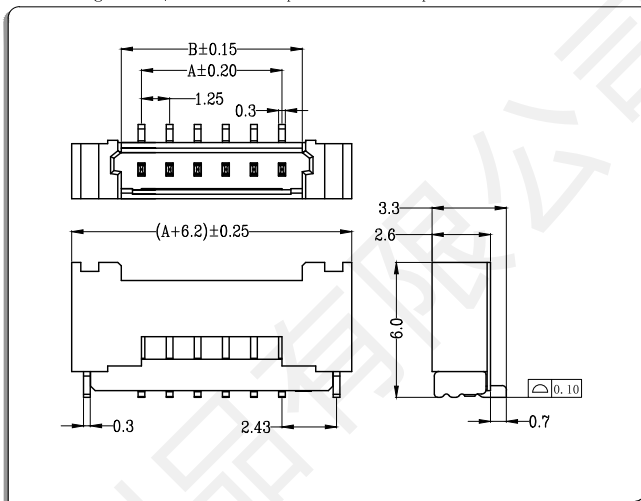


### ● 卧式 Right Angle



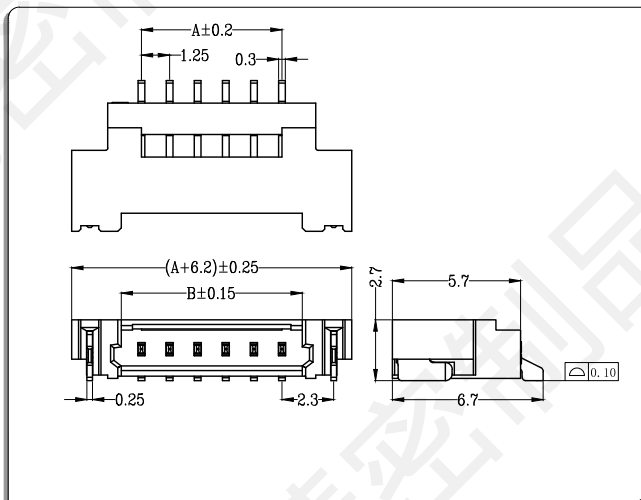
# WT125F (DF16) Connector 1.25mm Pitch

- 针座 Wafer
- 材料与表面处理 Material and Finish:  
Housing:LCP UL94V-0 & Terminal:Brass &  
Fitting:Brass; Finish:Tin-plated & Gold-plated



CKT	Part No	DIM A	DIM B
2	WT125FL-02	1.25	3.05
3	WT125FL-03	2.50	4.30
4	WT125FL-04	3.75	5.55
5	WT125FL-05	5.00	6.80
6	WT125FL-06	6.25	8.05
7	WT125FL-07	7.50	9.30
8	WT125FL-08	8.75	10.55
9	WT125FL-09	10.00	11.80
10	WT125FL-10	11.25	13.05
11	WT125FL-11	12.50	14.30
12	WT125FL-12	13.75	15.55
—	— —	—	—
30	WT125FL-30	36.25	38.05

- 材料与表面处理 Material and Finish:  
Housing:LCP UL94V-0 & Terminal:Brass &  
Fitting:Brass; Finish:Tin-plated & Gold-plated



CKT	Part No	DIM A	DIM B
2	WT125FW-02	1.25	3.05
3	WT125FW-03	2.50	4.30
4	WT125FW-04	3.75	5.55
5	WT125FW-05	5.00	6.80
6	WT125FW-06	6.25	8.05
7	WT125FW-07	7.50	9.30
8	WT125FW-08	8.75	10.55
9	WT125FW-09	10.00	11.80
10	WT125FW-10	11.25	13.05
11	WT125FW-11	12.50	14.30
12	WT125FW-12	13.75	15.55
—	— —	—	—
30	WT125FW-30	36.25	38.05

WTB  
1.25

WT125F (DF16) Connector 1.25mm Pitch