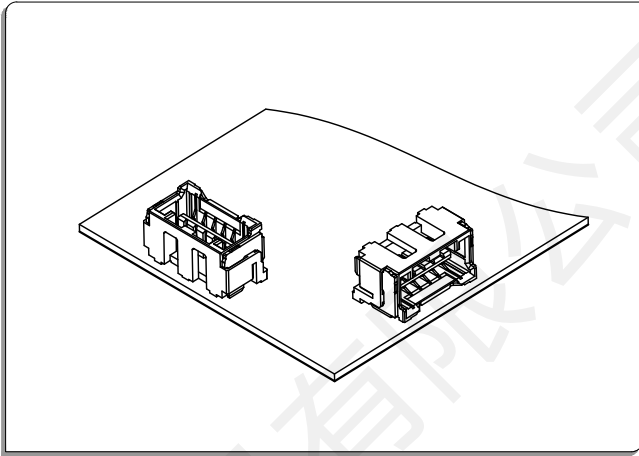


# WT150B(MX1.5) Connector 1.5mm Pitch

WTB  
1.5

WT150B(MX1.5) Connector 1.5mm Pitch

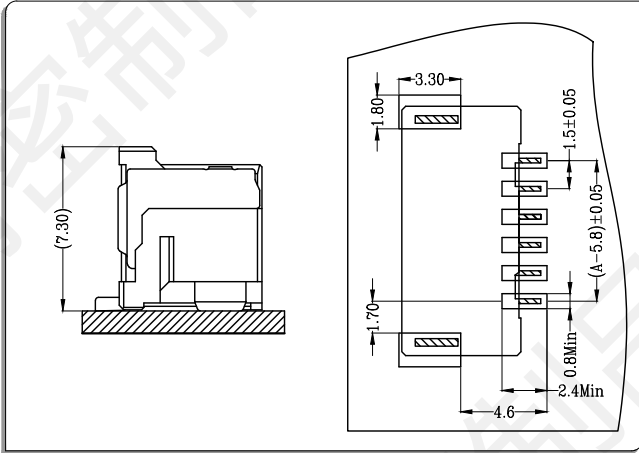


## ● 技术参数 SPECIFICATIONS

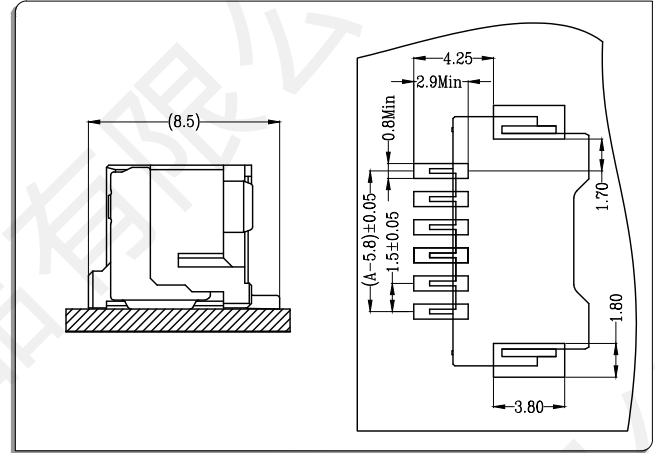
- 1、极数CKT: 2Pin to 15Pin
- 2、额定电流Current rating: 2A AC/DC
- 3、额定电压Voltage rating(max): 100V, AC/DC
- 4、工作温度Working Temperature:  $-25^{\circ}\text{C} \sim +85^{\circ}\text{C}$ ,  
(含通电温度上升值)  
(Including temperature rise in applying electrical current)
- 5、接触电阻Contact resistance:value  $\leq 40\text{m}\Omega$
- 6、绝缘电阻Insulation resistance:  $\geq 500\text{M}\Omega$
- 7、耐电压Withstand voltage: 500VAC(rms)
- 8、适用基板厚度Applicable PC board thickness: 1.6mm to 2.0mm

## ● 安装尺寸 Mounting Measurement

### ● 立式 Straight Angle

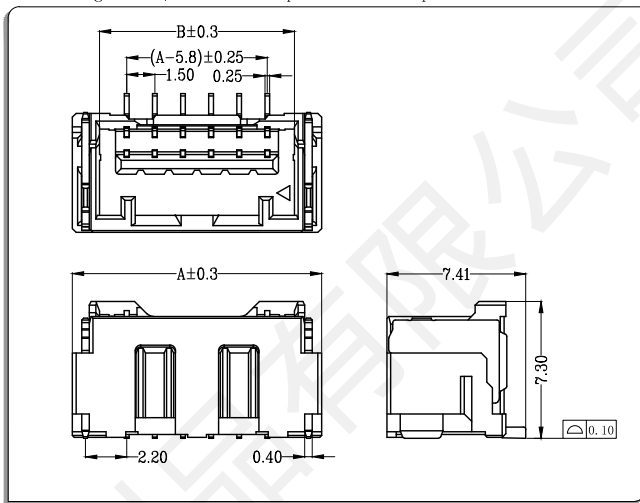


### ● 卧式 Right Angle



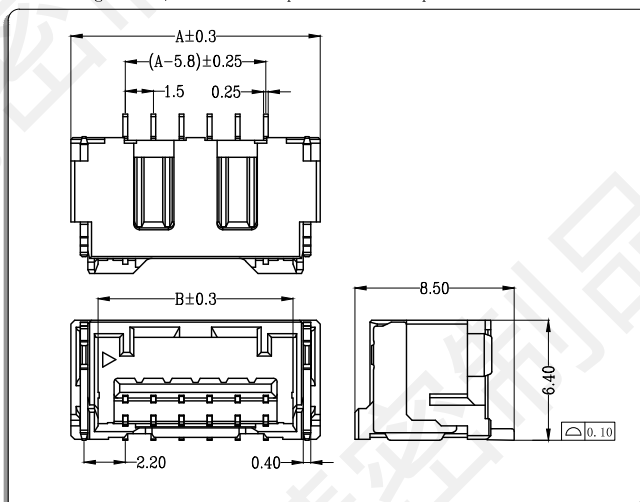
# WT150B (MX1.5) Connector 1.5mm Pitch

- 针座 Wafer
- 材料与表面处理 Material and Finish:  
Housing:PA9T UL94V-0 & Terminal:phosphor bronze & Fitting:Brass; Finish:Tin-plated & Gold-plated



CKT	Part No	DIM A	DIM B
2	WT150BL-02	7.30	4.40
3	WT150BL-03	8.80	5.90
4	WT150BL-04	10.30	7.40
5	WT150BL-05	11.80	8.90
6	WT150BL-06	13.30	10.40
7	WT150BL-07	14.80	11.90
8	WT150BL-08	16.30	13.40
9	WT150BL-09	17.80	14.90
10	WT150BL-10	19.30	16.40
11	WT150BL-11	20.80	17.90
12	WT150BL-12	22.30	19.40
—	— —	—	—
15	WT150BL-15	26.80	23.90

- 材料与表面处理 Material and Finish:  
Housing:PA9T UL94V-0 & Terminal:phosphor bronze & Fitting:Brass; Finish:Tin-plated & Gold-plated



CKT	Part No	DIM A	DIM B
2	WT150BW-02	7.30	4.40
3	WT150BW-03	8.80	5.90
4	WT150BW-04	10.30	7.40
5	WT150BW-05	11.80	8.90
6	WT150BW-06	13.30	10.40
7	WT150BW-07	14.80	11.90
8	WT150BW-08	16.30	13.40
9	WT150BW-09	17.80	14.90
10	WT150BW-10	19.30	16.40
11	WT150BW-11	20.80	17.90
12	WT150BW-12	22.30	19.40
—	— —	—	—
15	WT150BL-15	26.80	23.90

WTB  
1.5

WT150B (MX1.5) Connector 1.5mm Pitch