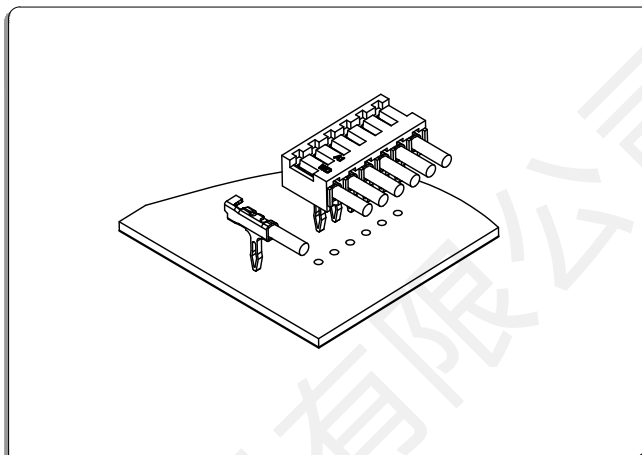


# WTJC20 (JC20) Connector 2.0mm Pitch

WTB  
2.0

WTJC20 (JC20) Connector 2.0mm Pitch

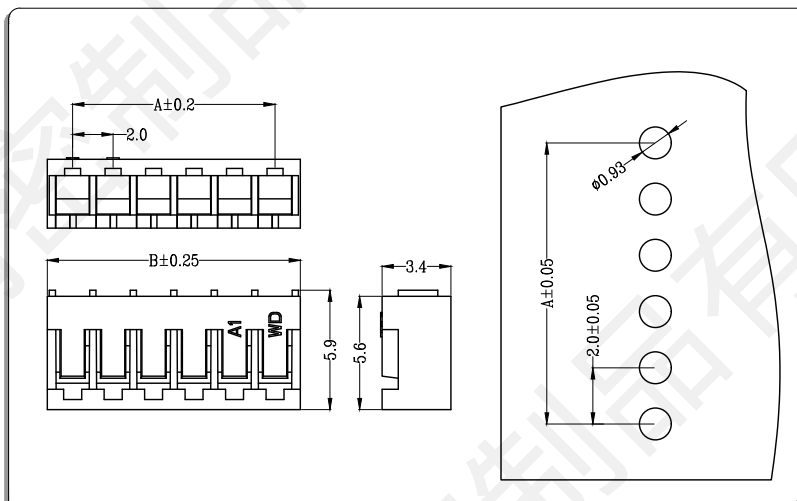


## ● 技术参数 SPECIFICATIONS

- 1、极数CKT: 2Pin to 20Pin
- 2、额定电流Current rating: 2A AC/DC
- 3、额定电压Voltage rating(max): 250V, AC/DC
- 4、工作温度Working Temperature: -25°C~+85°C, (含通电温度上升值)  
(Including temperature rise in applying electrical current)
- 5、绝缘电阻Insulation resistance:  $\geq 1000M\Omega$
- 6、耐电压Withstand voltage: 1000VAC(rms)
- 7、适用线规 Applicable wire: AWG #28 to #24
- 8、适用基板厚度Applicable PC board thickness: 1.6mm to 2.0mm

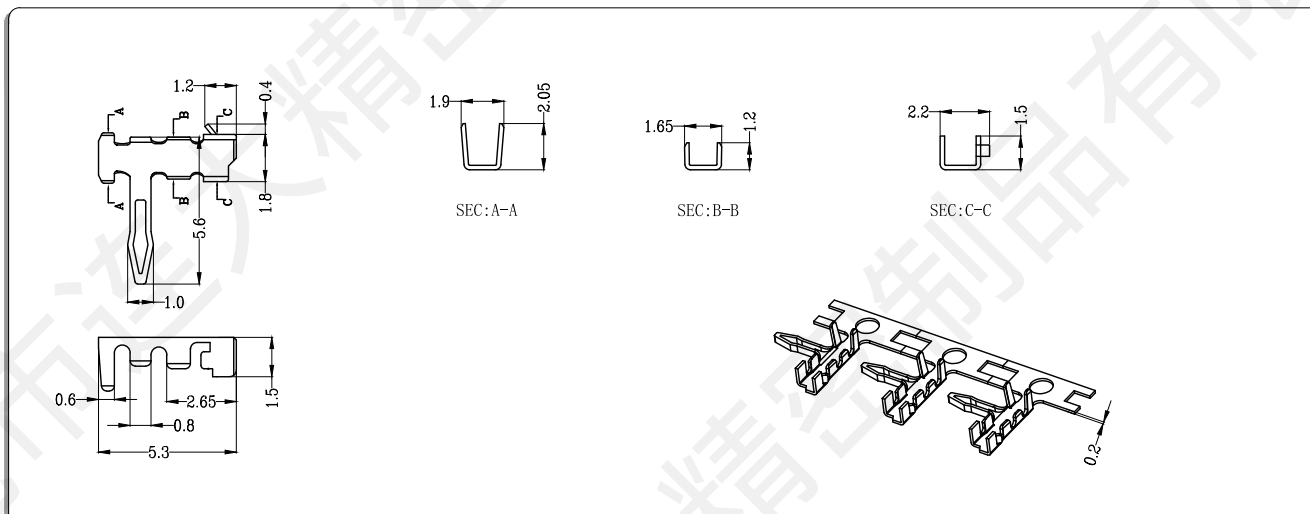
## ● 胶芯 Housing

- 材料Material: Nylon 66 UL94V-0



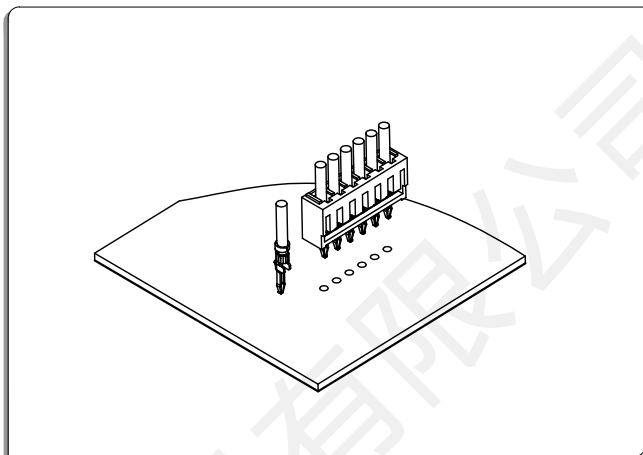
CKT	Part No	DIM A	DIM B
2	WTJC200-02	2.00	4.50
3	WTJC200-03	4.00	6.50
4	WTJC200-04	6.00	8.50
5	WTJC200-05	8.00	10.50
6	WTJC200-06	10.00	12.50
7	WTJC200-07	12.00	14.50
8	WTJC200-08	14.00	16.50
9	WTJC200-09	16.00	18.50
10	WTJC200-10	18.00	20.50
11	WTJC200-11	20.00	22.50
12	WTJC200-12	22.00	24.50
--	-- --	--	--
20	WTJC200-20	38.00	40.50

## ● 端子Terminal: T=0.2mm



Part No.	Wire Range	Insulation O.D	Material	Finish
WTJC200-T0	AWG#28~#24	1.50mm MAX	phosphor bronze	Tin & Gold-plated

# WTSAN20 (SAN) Connector 2.0mm Pitch



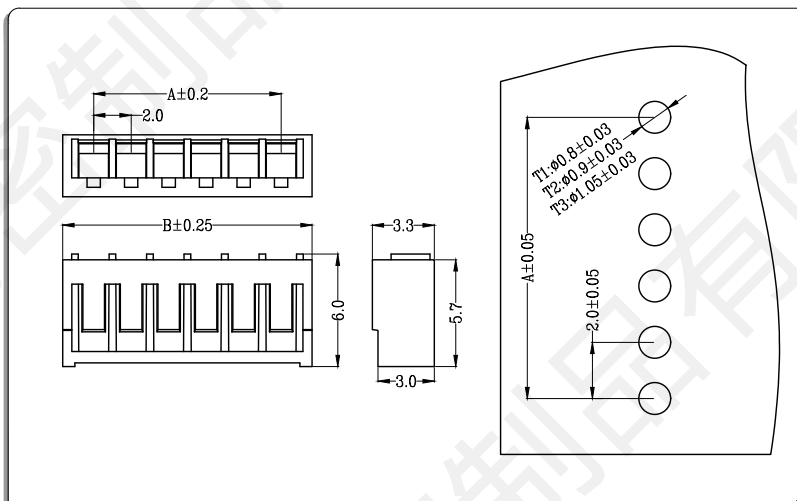
## ● 技术参数 SPECIFICATIONS

- 1、极数CKT: 2Pin to 20Pin
- 2、额定电流Current rating: 2A AC/DC
- 3、额定电压Voltage rating(max): 250V, AC/DC
- 4、工作温度Working Temperature:  $-25^{\circ}\text{C} \sim +85^{\circ}\text{C}$ ,  
(含通电温度上升值)  
(Including temperature rise in applying electrical current)
- 5、绝缘电阻Insulation resistance:  $\geq 1000\text{M}\Omega$
- 6、耐电压Withstand voltage: 1000VAC(rms)
- 7、适用线规 Applicable wire: AWG #28 to #24
- 8、适用基板厚度Applicable PC board thickness: 1.6mm to 2.0mm

WTB  
2.0

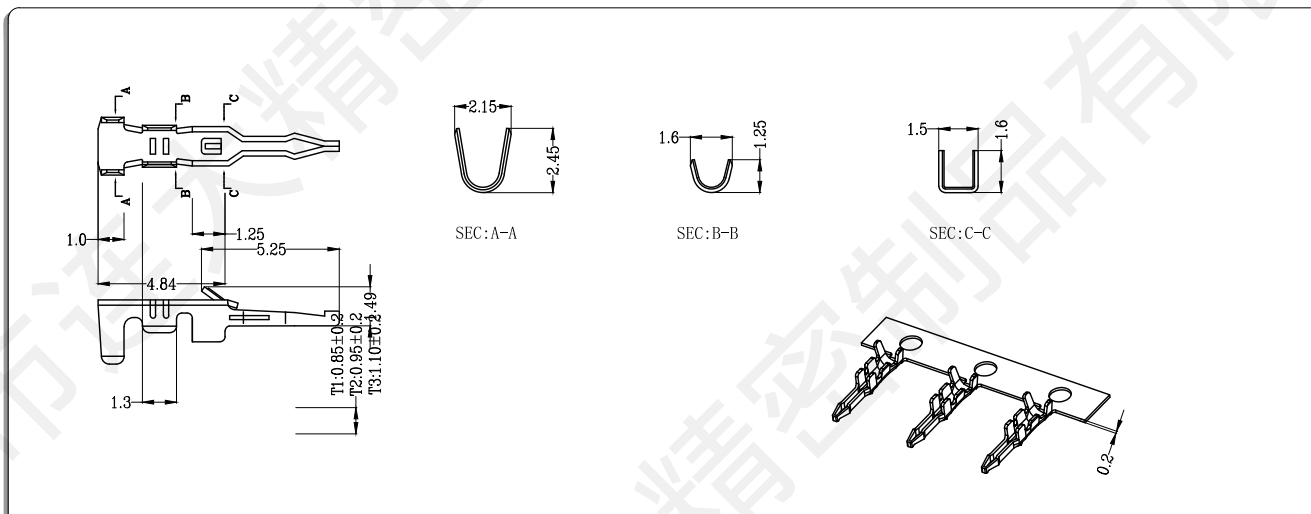
## ● 胶芯 Housing

● 材料Material: Nylon 66 UL94V-0



CKT	Part No	DIM A	DIM B
2	WTSAN20-02	2.00	5.30
3	WTSAN20-03	4.00	7.30
4	WTSAN20-04	6.00	9.30
5	WTSAN20-05	8.00	11.30
6	WTSAN20-06	10.00	13.30
7	WTSAN20-07	12.00	15.30
8	WTSAN20-08	14.00	17.30
9	WTSAN20-09	16.00	19.30
10	WTSAN20-10	18.00	21.30
11	WTSAN20-11	20.00	23.30
12	WTSAN20-12	22.00	25.30
—	— —	— —	— —
20	WTSAN20-20	38.00	41.30

## ● 端子Terminal: T=0.2mm



Part No.	Wire Range	Insulation O.D	Material	Finish
WTSAN20-T0	AWG#28~#24	1.50mm MAX	phosphor bronze	Tin & Gold-plated

WTSAN20 (SAN) Connector 2.0mm Pitch