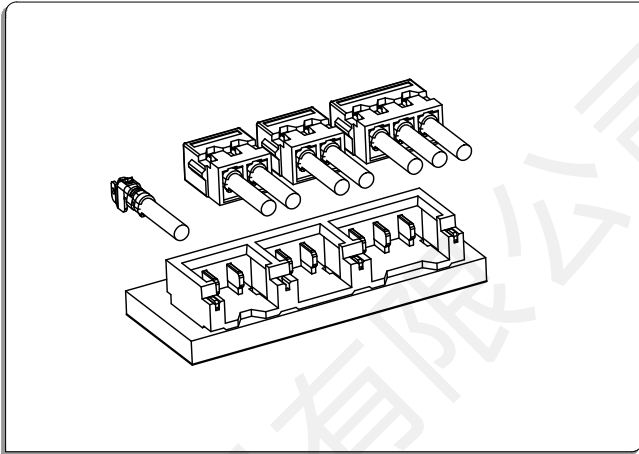


# DCT150A Connector 1.5mm Pitch

WTB  
1.5

DCT150A Connector 1.5mm Pitch

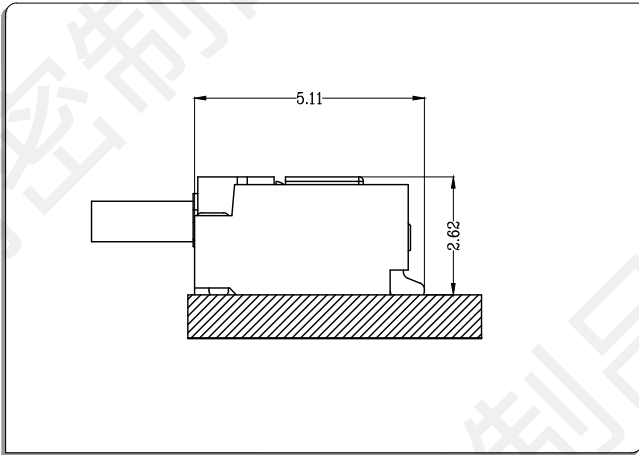


## ● 技术参数 SPECIFICATIONS

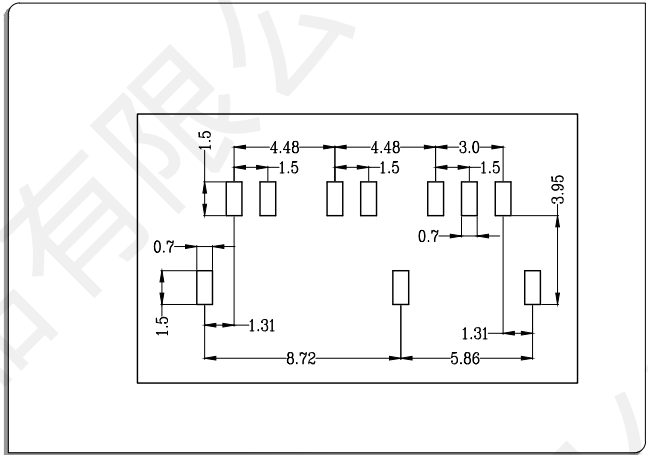
- 1、极数CKT: 2Pin to 16Pin
- 2、额定电流Current rating: 1A AC/DC
- 3、额定电压Voltage rating(max): 100V, AC/DC
- 4、工作温度Working Temperature: -25°C~+85°C, (含通电温度上升值)  
(Including temperature rise in applying electrical current)
- 5、接触电阻Contact resistance: 初始Initial value  $\leq 20m\Omega$   
环境测试后After environmental testing  $\leq 40m\Omega$
- 6、绝缘电阻Insulation resistance:  $\geq 500M\Omega$
- 7、耐电压Withstand voltage: 500VAC (rms)
- 8、适用线规 Applicable wire: AWG #30 to #26
- 9、适用基板厚度Applicable PC board thickness: 1.6mm to 2.0mm

## ● 安装尺寸 Mounting Measurement

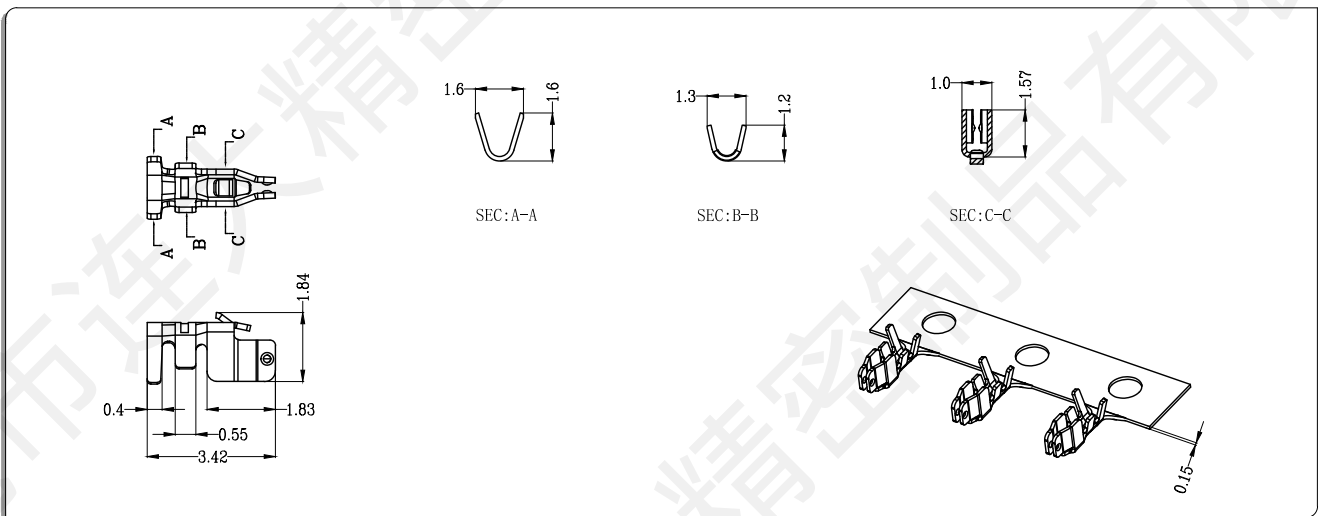
### ● 卧式 Right Angle



## ● P.C.B Layout



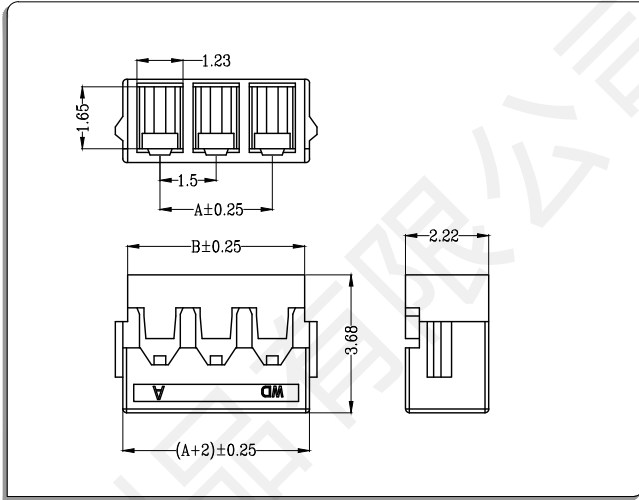
## ● 端子Terminal: T=0.15mm



Part No.	Wire Range	Insulation O.D	Material	Finish
DCT150A0—T0	AWG#30~#26	1.10mm MAX	phosphor bronze	Tin & Gold-plated

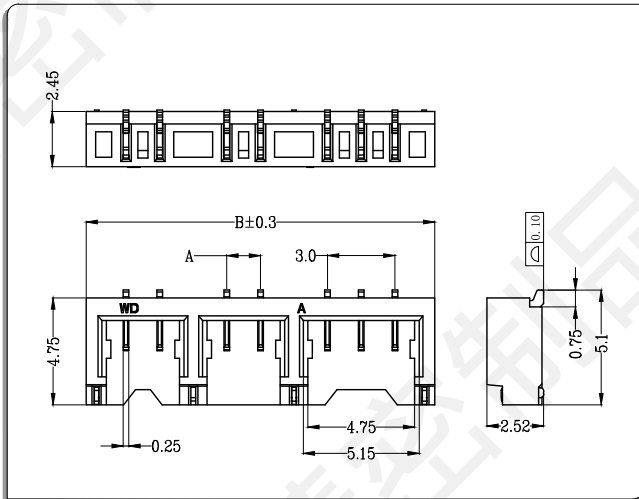
# DCT150A Connector 1.5mm Pitch

- 公头胶壳 Housing
- 材料Material: Nylon 66 UL94V-0



CKT	Part No	DIM A	DIM B
2	DCT150A0-02	1.50	3.22
3	DCT150A0-03	3.00	4.72
4	DCT150A0-04	4.50	6.22
5	DCT150A0-05	6.00	7.72
6	DCT150A0-06	7.50	9.22
7	DCT150A0-07	9.00	10.72
8	DCT150A0-08	10.50	12.22
9	DCT150A0-09	12.00	13.72
10	DCT150A0-10	13.50	15.22
—	—	—	—
16	DCT150A0-16	22.50	24.22

- 针座 Wafer
- 材料与表面处理 Material and Finish:  
Housing:LCP UL94V-0 & Terminal:Brass  
Fitting:Brass; Finish:Tin-plated & Gold-plated



CKT	Part No	DIM A	DIM B
7	DCT150AW-07	1.50	15.50

WTB  
1.5

DCT150A Connector 1.5mm Pitch