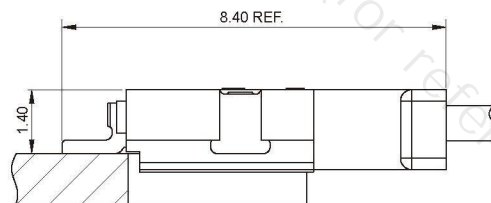
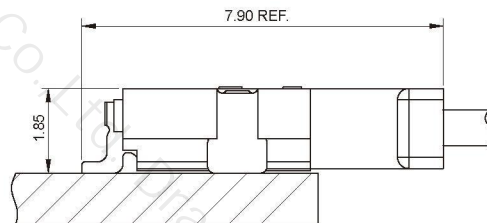


■ Specifications

- Contact resistance: $\leq 20\text{m}\Omega$
- Insulation resistance: $\geq 100\text{M}\Omega$
- Rated voltage: 50V AC DC
- Rated current: 1.0A AC DC
- Withstand voltage: 500V AC/minute
- Temperature range: $-25^{\circ}\text{C} \sim +85^{\circ}\text{C}$

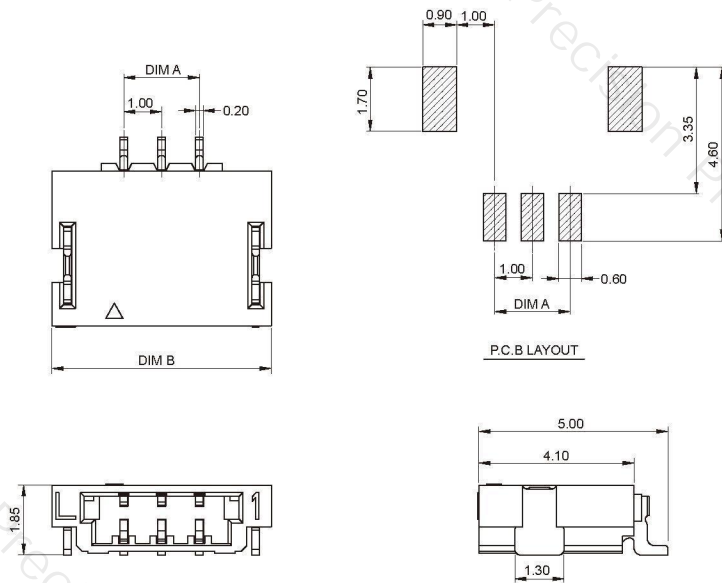
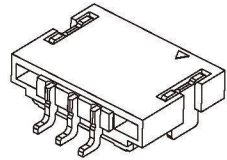
■ Assembly Layout



WIRE TO BOARD
BOARD TO BOARD
WIRE TO WIRE
FPC SERIES
THRU SERIES
LIGHTING SERIES
OTHER SERIES

A1009AWR (1.00mm pitch 90°Wafer SMT TYPE)

- Reference Information:
- Material: Pin: Phosphor Bronze/Tin-plated
- SolderTabs: Phosphor Bronze/Tin-plated
- Wafer: PA6T,UL94V-0
- Mates with A1009 series Housing

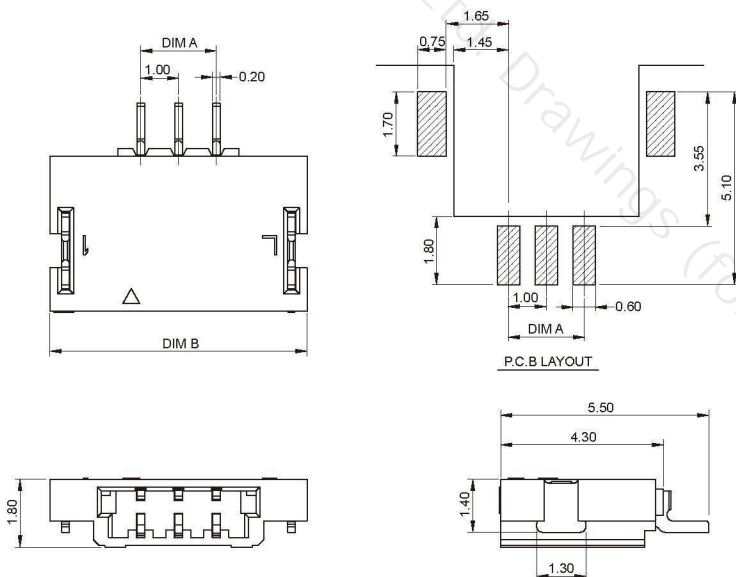
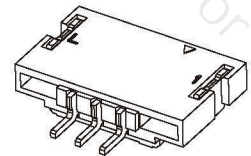


Ordering Information & Dimensions:

Circuit	Dimensions(mm)		Circuit	Dimensions(mm)	
	A	B		A	B
02	1.00	4.80	17	16.00	19.80
03	2.00	5.80	18	17.00	20.80
04	3.00	6.80	19	18.00	21.80
05	4.00	7.80	20	19.00	22.80
06	5.00	8.80	21	20.00	23.80
07	6.00	9.80	22	21.00	24.80
08	7.00	10.80	23	22.00	25.80
09	8.00	11.80	24	23.00	26.80
10	9.00	12.80	25	24.00	27.80
11	10.00	13.80	26	25.00	28.80
12	11.00	14.80	27	26.00	29.80
13	12.00	15.80	28	27.00	30.80
14	13.00	16.80	29	28.00	31.80
15	14.00	17.80	30	29.00	32.80
16	15.00	18.80			

A1009AFV (1.00mm pitch 90°Wafer SMT TYPE)

- Reference Information:
- Material: Pin: Phosphor Bronze/Tin-plated
- SolderTabs: Phosphor Bronze/Tin-plated
- Wafer: PA6T,UL94V-0
- Mates with A1009 series Housing



Ordering Information & Dimensions:

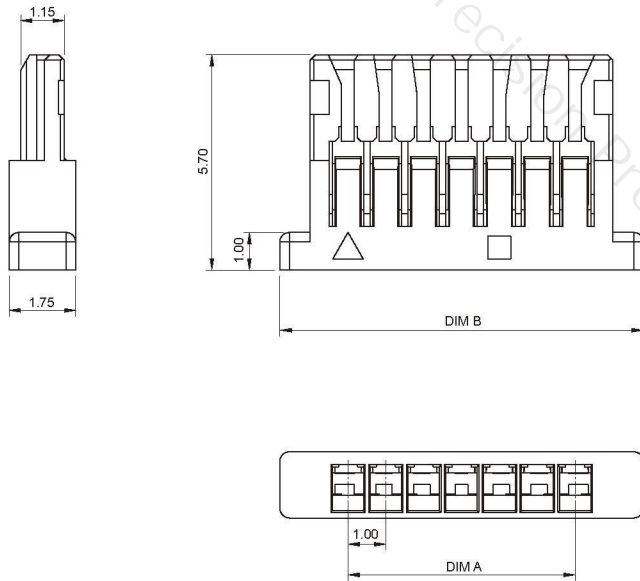
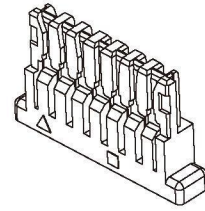
Circuit	Dimensions(mm)		Circuit	Dimensions(mm)	
	A	B		A	B
02	1.00	5.80	17	16.00	20.80
03	2.00	6.80	18	17.00	21.80
04	3.00	7.80	19	18.00	22.80
05	4.00	8.80	20	19.00	23.80
06	5.00	9.80	21	20.00	24.80
07	6.00	10.80	22	21.00	25.80
08	7.00	11.80	23	22.00	26.80
09	8.00	12.80	24	23.00	27.80
10	9.00	13.80	25	24.00	28.80
11	10.00	14.80	26	25.00	29.80
12	11.00	15.80	27	26.00	30.80
13	12.00	16.80	28	27.00	31.80
14	13.00	17.80	29	28.00	32.80
15	14.00	18.80	30	29.00	33.80
16	15.00	19.80			

A1009 SERIES

1.00mm pitch wire to board connector

A1009Y (1.00mm pitch Housing)

- Reference Information:
- Material: PA66,UL94V-0(2)
- Mates with A1009 series Wafer

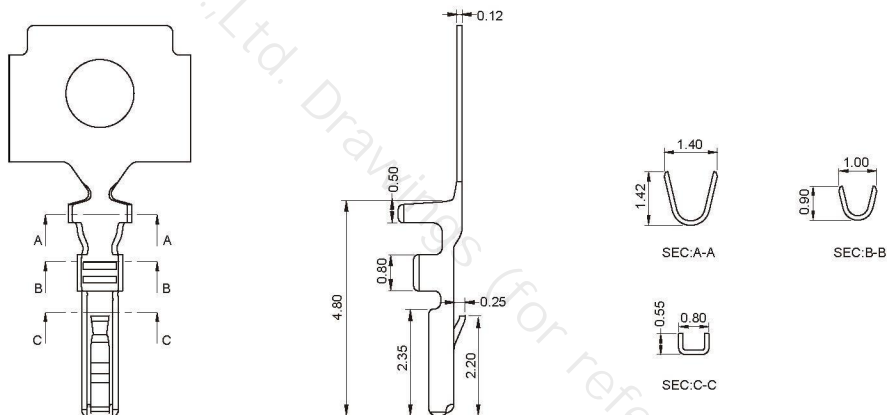


Ordering Information & Dimensions:

Circuit	Dimensions(mm)	
	A	B
02	1.00	4.60
03	2.00	5.60
04	3.00	6.60
05	4.00	7.60
06	5.00	8.60
07	6.00	9.60
08	7.00	10.60
09	8.00	11.60
10	9.00	12.60
11	10.00	13.60
12	11.00	14.60
13	12.00	15.60
14	13.00	16.60
15	14.00	17.60
16	15.00	18.60
...
30	29.00	32.60

A1009T (1.00mm pitch Terminal)

- Reference Information:
- Used in A1009 series Housing



Ordering Information & Dimensions:

Part No	Wire Range	Insulation O.D.	Material	Finish	Qty/Reel
A1009T	AWG #28 ~ #32	0.90mm(max)	Phosphor bronze	Tin-plated	15000PCS

WIRE TO BOARD

BOARD TO BOARD

WIRE TO WIRE

FPC SERIES

THR SERIES

LIGHTING SERIES

OTHER SERIES