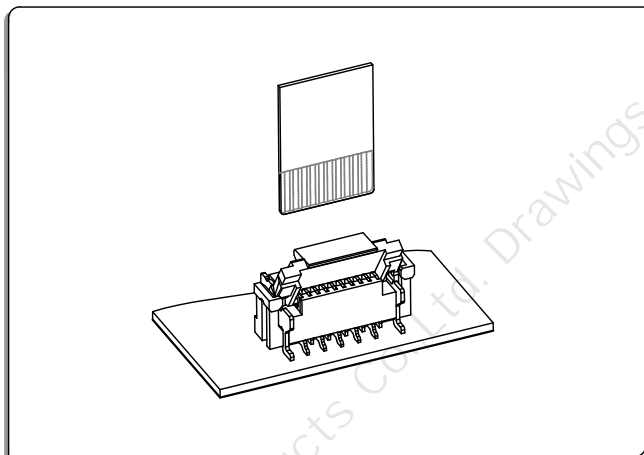


XL0554 Connector 0.5mm Pitch H5.4

FPC
0.5

XL0554 Connector 0.5mm Pitch

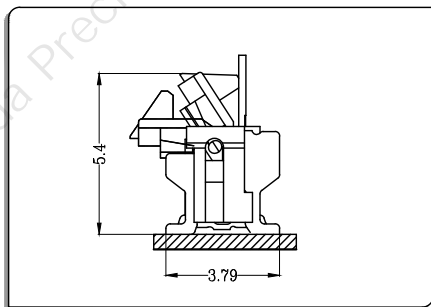


● 技术参数 SPECIFICATIONS

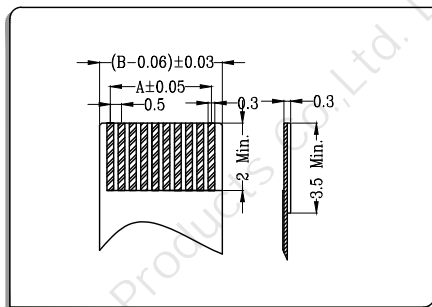
- 1、极数CKT: 5Pin to 60Pin
- 2、额定电流Current rating: 0.5A AC/DC
- 3、额定电压Voltage rating(max): 50V, AC/DC
- 4、工作温度Working Temperature: -25°C~+85°C, (含通电温度上升值)
(Including temperature rise in applying electrical current)
- 5、接触电阻Contact resistance: $\leq 50m\Omega$
- 6、绝缘电阻Insulation resistance: $\geq 500M\Omega$
- 7、耐电压Withstand voltage: 150VAC(rms)
- 8、适用基板厚度Applicable PC board thickness: 1.6mm to 2.0mm

● 安装尺寸 Mounting Measurement

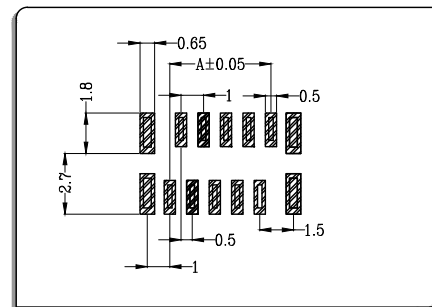
● Assembly Layout



● Applicable Flat Cable



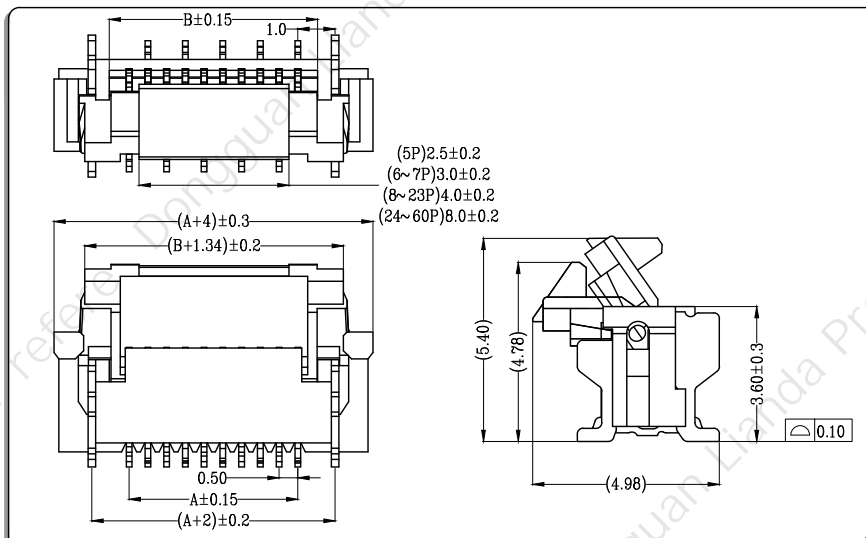
● P.C.B Layout



● 掀盖立式(正脚)带扣 Easy-on S/T Positive pointer With Buckle

● 材料与表面处理 Material and Finish:

Housing:LCP UL94V-0 & Terminal:phosphor bronze & Fitting:phosphor bronze; Finish:Tin-plated & Gold-plated



| CKT | Part No. | DIM A | DIM B |
|-----|------------|-------|-------|
| 5 | XL05543-05 | 2.00 | 3.06 |
| 6 | XL05543-06 | 2.50 | 3.56 |
| 7 | XL05543-07 | 3.00 | 4.06 |
| 8 | XL05543-08 | 3.50 | 4.56 |
| 9 | XL05543-09 | 4.00 | 5.06 |
| 10 | XL05543-10 | 4.50 | 5.56 |
| 11 | XL05543-11 | 5.00 | 6.06 |
| 12 | XL05543-12 | 5.50 | 6.56 |
| 13 | XL05543-13 | 6.00 | 7.06 |
| 14 | XL05543-14 | 6.50 | 7.56 |
| 15 | XL05543-15 | 7.00 | 8.06 |
| -- | -- | -- | -- |
| 60 | XL05543-60 | 29.50 | 30.56 |