

HSE ROHS

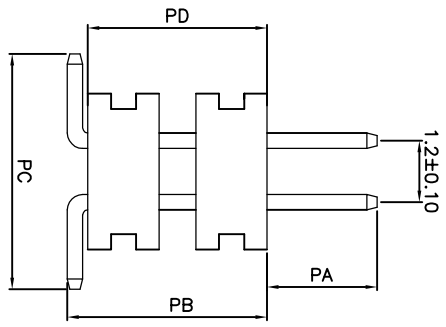
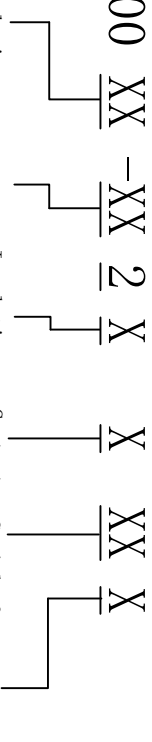
REV	ECN NO	DESCRIPTION	DATE	NAME
A		NEW		

Specifications

1. Current Rating: 1Amps
2. Insulation Resistance: 1000 MΩ min.
3. Dielectric withstanding Voltage: AC 500V
4. Contact Resistance: 30 mΩ max.
5. Operating Temperature: -25°C to +85°C
6. Contact Material: Brass
7. Insulation Material: As follows, UL94V-0, Black
8. Plated: Au Over Ni

Ordering Information

L200 XX -XX 2 X XX X



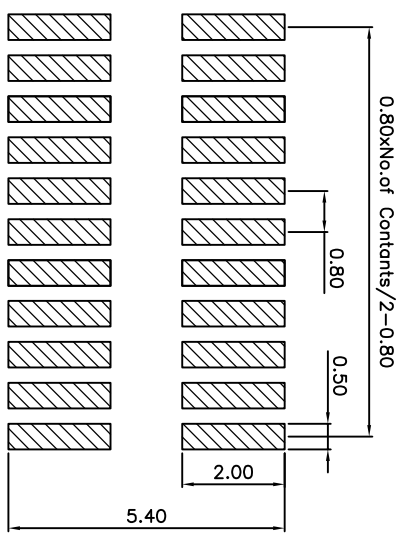
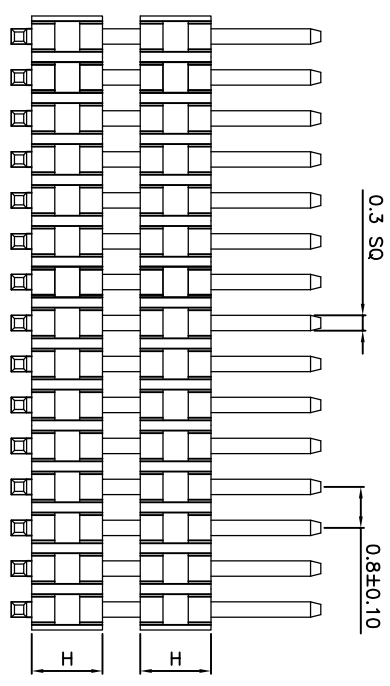
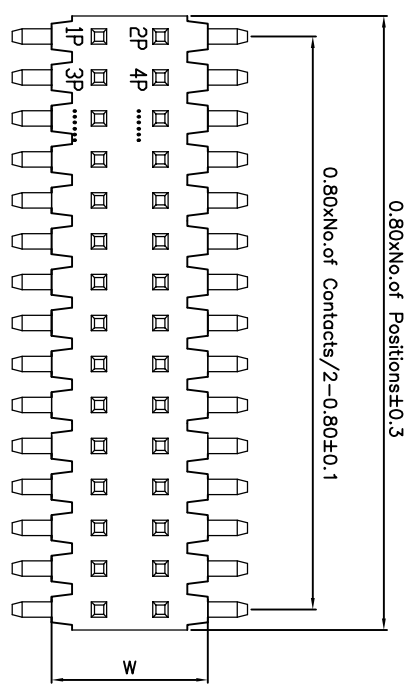
Insulation Height*Width	NO. of Pins Per Row:	Insulation Material	Contact Plating	Serial NO.	Packing
1-50P	1=50P	Option: 1=PPB 2=PPS 3=NV6T 4=ICP 5=NV66 6=Customized 7=NV46 8=NV9T	0=0.8" Gold 1=Au1" Gold 2=Au1.5" Gold 3=Au2" Gold 4=Au3" Gold 5=Au5" Gold 6=Customized 7=Gold/Tin 8=1in	01-69	A=PE Bag B=Tube C=Tray D=Reel

Dimension antitheses list

ITEM	PD	PC	PB	PA	H	Pin Length
Standard	3.50	4.60	3.90	2.80	1.38	7.4
Alternate						

LDCONN 东莞连大精密制品有限公司
 Dongguan LianDa Precision Products Co., LTD

STANDARD TOLERANCE (EXCEPT SPECIFIED)		
LINER	ANGLES	
.0 ±0.30	0.°	±3°
.00 ±0.20	.0°	±2°
.000 ±0.10	.00°	±1°
TITLE	1.0*1.2 Pin Header Dual Row SMT	DRAWN BY
PART NO	L20014-XX2XXXX	CHECKED BY
DRAWING NO		APPROVED BY
SCALE	1:1	UNITE
	mm	
		PAGE
		1/1
		SIZE
		A4



P.C.B Layout (Top Side)